

**DEWALT®**

www.**DEWALT**.com

**D25899**

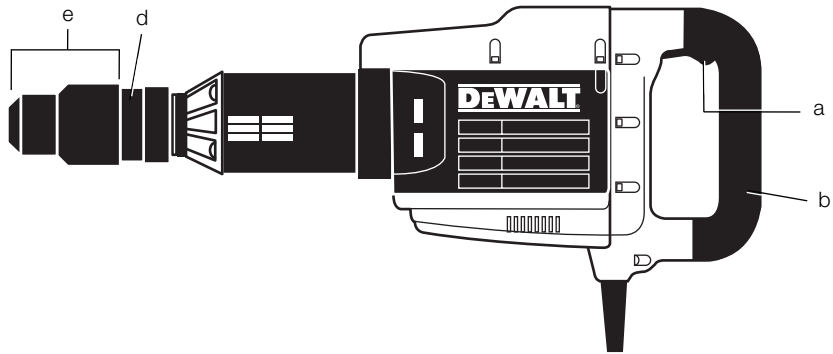
**D25901**

**D25941**

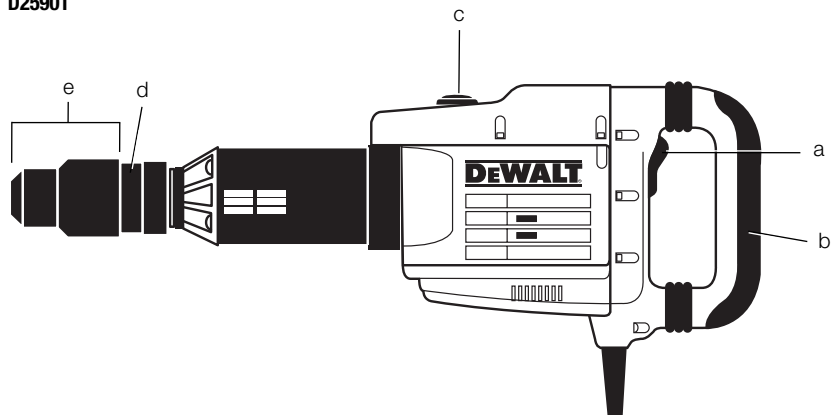
<b>English (original)</b>	<b>6</b>
中文 (简体)	13
한국어	20
ภาษาไทย	27

Figure 1

D25899



D25901



D25941

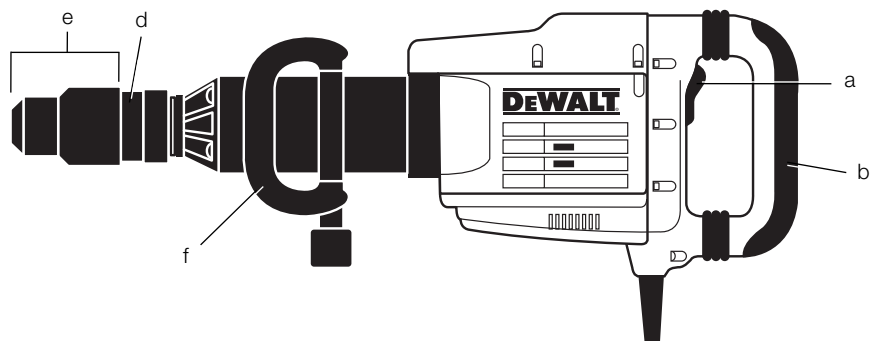


Figure 2

**D25899**  
**D25901**

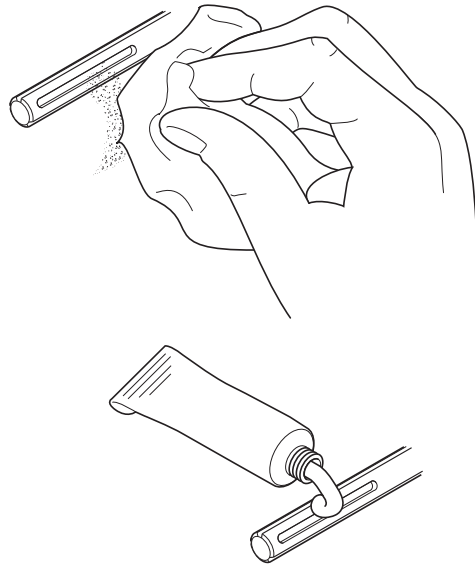


Figure 3

**D25899**  
**D25901**

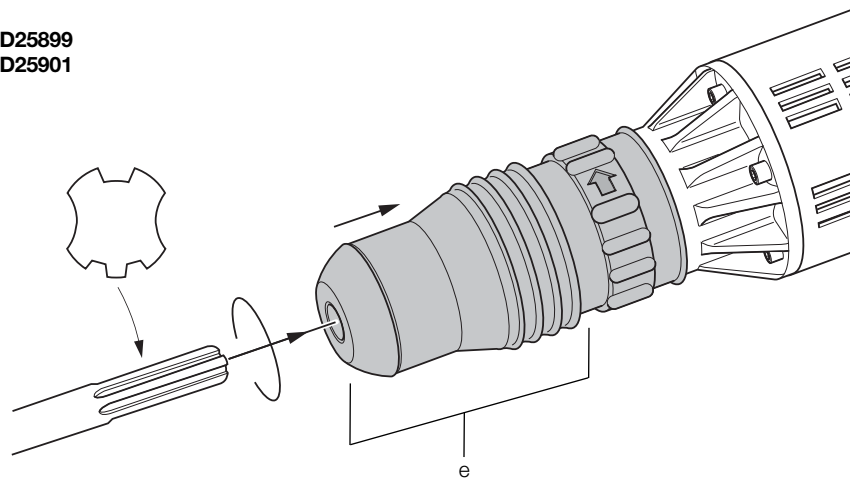


Figure 4

**D25941**

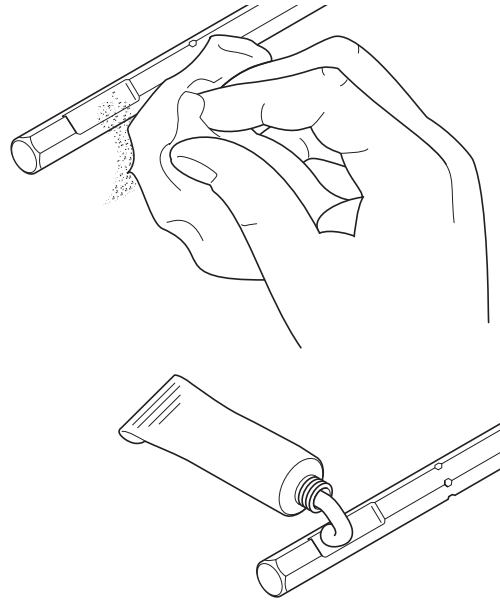


Figure 5

**D25941**

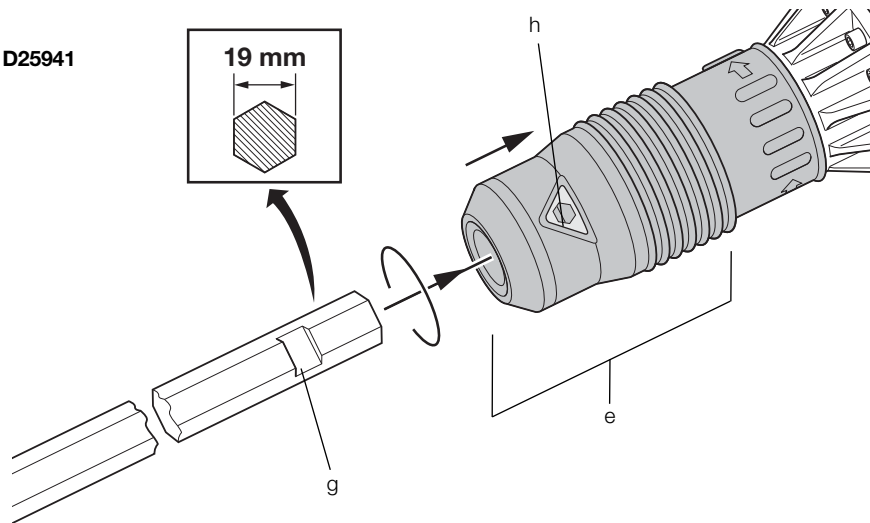


Figure 6

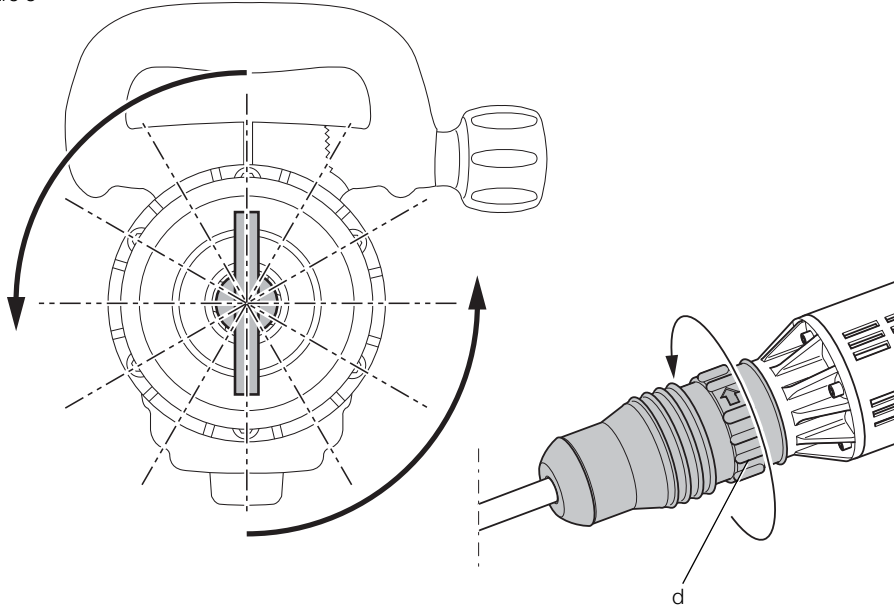


Figure 7

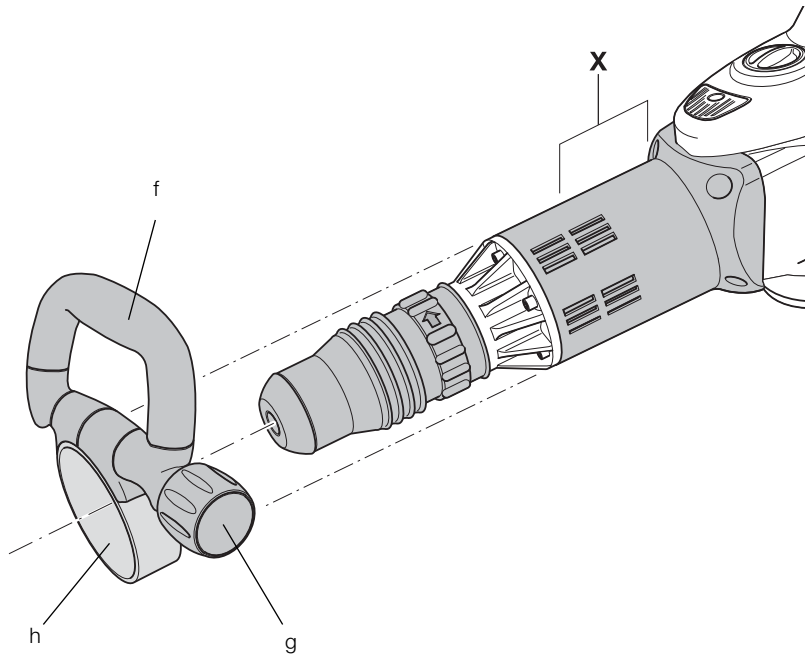
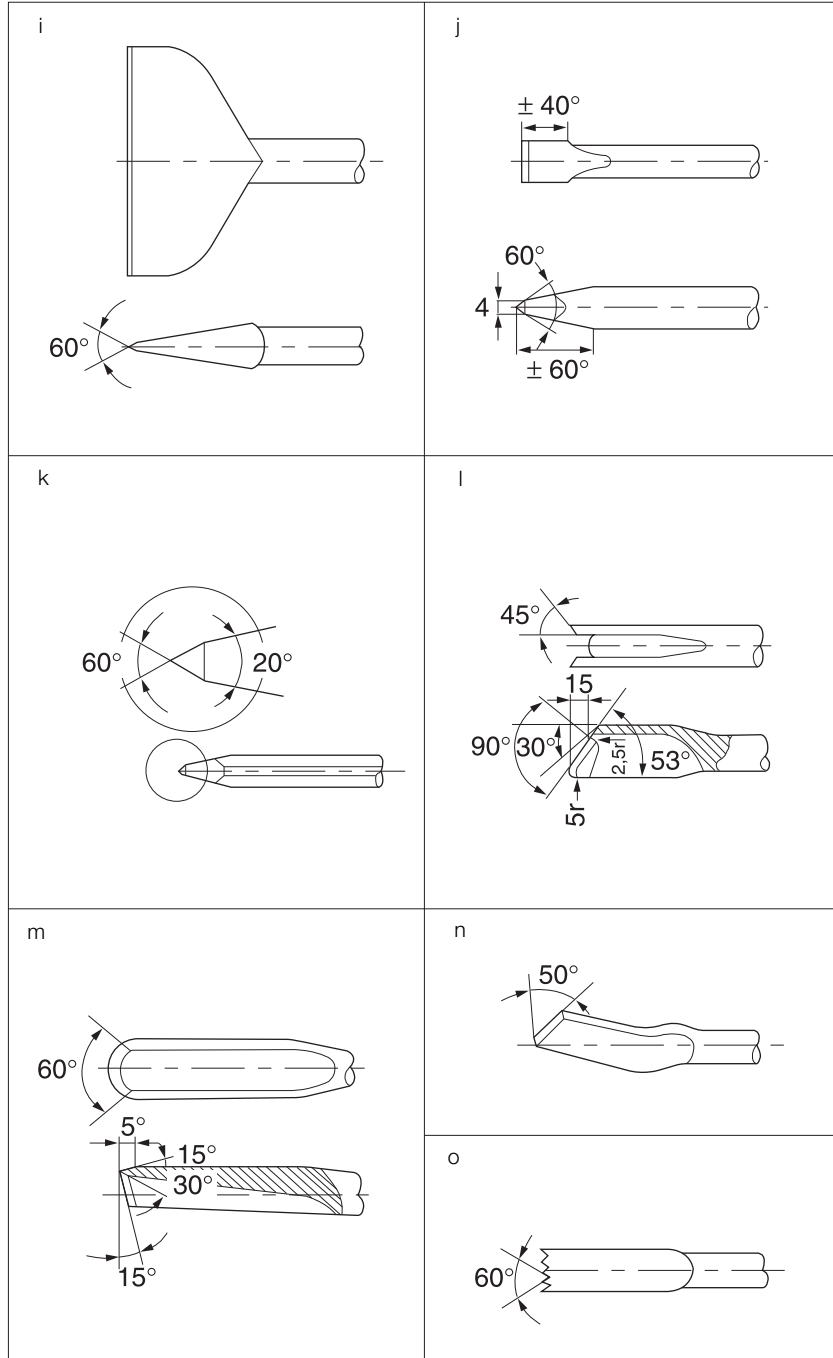


Figure 8



ENGLISH

# DEMOLITION HAMMER

## D25899/D25901/D25941

### Congratulations!

You have chosen a DEWALT power tool. Years of experience, thorough product development and innovation make DEWALT one of the most reliable partners for professional power tool users.

### Technical data

		D25899	D25901	D25941
Voltage	V	220-240	220-240	220-240
Frequency	Hz	50/60	50/60	50/60
Current	A	7.2	8.5	8.9
Power input	W	1,500	1,500	1,600
Impact rate	min <sup>-1</sup>	2,040	1,040-2,040	1,620
Impact energy	J	25	5-25	30.6
Tool holder		SDS-max®	SDS-max®	19mm hex
Chisel positions		12	12	12
Weight	kg	10	11	13.4

### Definitions: Safety Guidelines

The definitions below describe the level of severity for each signal word. Please read the manual and pay attention to these symbols.



**DANGER:** Indicates an imminently hazardous situation which, if not avoided, **will result in death or serious injury.**



**WARNING:** Indicates a potentially hazardous situation which, if not avoided, **could result in death or serious injury.**



**CAUTION:** Indicates a potentially hazardous situation which, if not avoided, **may result in minor or moderate injury.**



Denotes risk of electric shock.



Denotes risk of fire.

**CAUTION:** Used without the safety alert symbol indicates a potentially hazardous situation which, if not avoided, **may result in property damage.**

Measured values determined according to EN 60745 and 2000/14/EC.

		D25899	D25901	D25941
L <sub>DA</sub> (sound pressure)	dB(A)	86	89	91
L <sub>WA</sub> (sound power)	dB(A)	100	100	102
Uncertainty K	dB	3	3	3

Vibration total values (triax vector sum) determined according to EN 60745:

Chiselling, Vibration emission value a <sub>h</sub>	= m/s <sup>2</sup>	12	7.9	8.8
Uncertainty K	m/s <sup>2</sup>	1.5	1.7	1.5

The declared vibration emission value has been measured in accordance with a standard test method and may be used for comparing one tool with another.

The declared vibration emission value may also be used in a preliminary assessment of exposure.



**WARNING:** The vibration emission value during actual use of the power tool can differ from the declared value depending on the ways in which the tool is used. This could lead to a significant underestimate of exposure when the tool is used regularly in such a way.

An estimation of the level of exposure to vibration experienced during a given period of work should also take into account the times when the tool is switched off and when it is running idle in addition to the trigger time.

This may significantly reduce the exposure level over the total working period.



**WARNING:** Take appropriate measures for hearing protection.



**WARNING:** To reduce the risk of injury, read the instruction manual.

## General Power Tool Safety Warnings



**WARNING!** Read all safety warnings and all instructions. Failure to follow the warnings and instructions may result in electric shock, fire and/or serious injury.

### SAVE ALL WARNINGS AND INSTRUCTIONS FOR FUTURE REFERENCE.

The term "power tool" in the warnings refers to your mains-operated (corded) power tool or battery-operated (cordless) power tool.

#### 1) WORK AREA SAFETY

- Keep work area clean and well lit.** Cluttered or dark areas invite accidents.
- Do not operate power tools in explosive atmospheres, such as in the presence of flammable liquids, gases or dust.** Power tools create sparks which may ignite the dust or fumes.
- Keep children and bystanders away while operating a power tool.** Distractions can cause you to lose control.

#### 2) ELECTRICAL SAFETY

- Power tool plugs must match the outlet. Never modify the plug in any way. Do not use any adapter plugs with earthed (grounded) power tools.** Unmodified plugs and matching outlets will reduce risk of electric shock.
- Avoid body contact with earthed or grounded surfaces such as pipes, radiators, ranges and refrigerators.** There is an increased risk of electric shock if your body is earthed or grounded.
- Do not expose power tools to rain or wet conditions.** Water entering a power tool will increase the risk of electric shock.
- Do not abuse the cord. Never use the cord for carrying, pulling or unplugging the power tool. Keep cord away from heat, oil, sharp edges or moving parts.** Damaged or entangled cords increase the risk of electric shock.
- When operating a power tool outdoors, use an extension cord suitable for outdoor use.** Use of a cord suitable for outdoor use reduces the risk of electric shock.
- If operating a power tool in a damp location is unavoidable, use a residual current device (RCD) protected supply.** Use of an RCD reduces the risk of electric shock.

#### 3) PERSONAL SAFETY

- Stay alert, watch what you are doing and use common sense when operating a power tool. Do not use a power tool while you are tired or under the influence of drugs, alcohol or medication.** A moment of inattention while operating power tools may result in serious personal injury.
- Use personal protective equipment. Always wear eye protection.** Protective equipment such as dust mask, non-skid safety shoes, hard hat, or hearing protection used for appropriate conditions will reduce personal injuries.
- Prevent unintentional starting. Ensure the switch is in the off-position before connecting to power source and/or battery pack, picking up or carrying the tool.** Carrying power tools with your finger on the switch or energising power tools that have the switch on invites accidents.
- Remove any adjusting key or wrench before turning the power tool on.** A wrench or a key left attached to a rotating part of the power tool may result in personal injury.

- e) **Do not overreach. Keep proper footing and balance at all times.** This enables better control of the power tool in unexpected situations.
- f) **Dress properly. Do not wear loose clothing or jewellery. Keep your hair, clothing and gloves away from moving parts.** Loose clothes, jewellery or long hair can be caught in moving parts.
- g) **If devices are provided for the connection of dust extraction and collection facilities, ensure these are connected and properly used.** Use of dust collection can reduce dust-related hazards.

#### 4) POWER TOOL USE AND CARE

- a) **Do not force the power tool. Use the correct power tool for your application.** The correct power tool will do the job better and safer at the rate for which it was designed.
- b) **Do not use the power tool if the switch does not turn it on and off.** Any power tool that cannot be controlled with the switch is dangerous and must be repaired.
- c) **Disconnect the plug from the power source and/or the battery pack from the power tool before making any adjustments, changing accessories, or storing power tools.** Such preventive safety measures reduce the risk of starting the power tool accidentally.
- d) **Store idle power tools out of the reach of children and do not allow persons unfamiliar with the power tool or these instructions to operate the power tool.** Power tools are dangerous in the hands of untrained users.
- e) **Maintain power tools. Check for misalignment or binding of moving parts, breakage of parts and any other condition that may affect the power tools operation. If damaged, have the power tool repaired before use.** Many accidents are caused by poorly maintained power tools.
- f) **Keep cutting tools sharp and clean.** Properly maintained cutting tools with sharp cutting edges are less likely to bind and are easier to control.
- g) **Use the power tool, accessories and tool bits etc., in accordance with these instructions taking into account the working conditions and the work to be performed.** Use of the power tool for operations different from those intended could result in a hazardous situation.

#### 5) SERVICE

- a) **Have your power tool serviced by a qualified repair person using only identical replacement parts.** This will ensure that the safety of the power tool is maintained.

### Additional safety instructions for demolition hammers

- **Wear ear protectors.** Exposure to noise can cause hearing loss.
- **Use auxiliary handles supplied with the tool.** Loss of control can cause personal injury.
- **Hold power tools by insulated gripping surfaces when performing an operation where the cutting tool may contact hidden wiring or its own cord.** Cutting accessory Contacting a "live" wire may make exposed metal parts of the tool "live" and shock the operator.
- **Be certain that the material being drilled does not conceal electric or gas service and that their locations have been verified with the utility companies.**
- **Keep a firm grip on the tool at all times. Do not attempt to operate this tool without holding it with both hands.** Operating this tool with one hand will result in loss of control. Breaking through or encountering hard materials such as re-bar may be hazardous as well. Tighten the side handle securely before use.
- **Ensure the chisel is secured in place before operating the tool.**
- **In cold-weather conditions or when the tool has not been used for a longer period of time, let the tool run with no load for several minutes before use.**
- **When working above ground level ensure the area below is clear.**
- **Do not touch the chisel or the parts close to the chisel immediately after operation, as they may be extremely hot and cause burns to the skin.**
- **Always direct the power cable to the rear, away from the chisel.**
- **Do not operate this tool for long periods of time.** Vibration caused by hammer action may be harmful to your hands and arms. Use gloves to provide extra cushion and limit exposure by taking frequent rest periods.

## Package contents

The package contains:

- 1 Demolition hammer
  - 1 Side handle
  - 1 Pointed chisel (D25901, D25941)
  - 1 Plastic case
  - 1 Instruction manual
  - 1 Exploded drawing
- *Check for damage to the tool, parts or accessories which may have occurred during transport.*
  - *Take the time to thoroughly read and understand this manual prior to operation.*

## Description (fig. 1)

Your DEWALT demolition hammer has been designed for professional applications.

- a. On/off switch
- b. Rear handle
- c. Electronic impact energy control dial
- d. Chisel position index collar
- e. Tool holder/sleeve
- f. Side handle

### INTENDED USE

The D25899, D25901 and D25941 heavy-duty demolition hammers are designed for heavy duty demolition, chipping and chasing applications in concrete, brick, stone and other masonry materials.

**DO NOT** use under wet conditions or in presence of flammable liquids or gases.

These heavy-duty demolition hammers are professional power tools. **DO NOT** let children come into contact with the tool. Supervision is required when inexperienced operators use this tool.

### Residual risks

- *In spite of the application of the relevant safety regulations and the implementation of safety devices, certain residual risks cannot be avoided.*  
*These are:*
  - *Impairment of hearing.*
  - *Risk of dust inhalation.*
  - *Risk of personal injury due to prolonged use.*
  - *Risk of burns due to accessories becoming hot during operation.*

## Soft start feature – D25901, D25941

The soft start feature allows the impact rate to build up more slowly, thus preventing the chisel or point from “bouncing” around on the masonry when starting up.

## Active vibration control – D25901, D25941

The active vibration control neutralises rebound vibration from the hammer mechanism. Lowering hand and arm vibration, it allows more comfortable use for longer periods of time and extends the life of the unit.

## Electronic impact energy control – D25901 only (fig. 1)

The electronic impact energy control (c) offers the following advantages:

- use of smaller accessories without risk of breakage
- minimised break-out when chiselling soft or brittle materials
- optimal tool control for precise chiselling

## Electrical safety

The electric motor has been designed for one voltage only. Always check that the power supply corresponds to the voltage on the rating plate.



Your DEWALT tool is double insulated in accordance with EN 60745; therefore no earth wire is required.



**WARNING: NEVER** use a light socket. **NEVER** connect the live (L) or neutral (N) wires to the earth pin marked E or  $\perp$ .



**WARNING:** 115 V units have to be operated via a fail-safe isolating transformer with an earth screen between the primary and secondary winding.

## Using an extension cable

If an extension cable is required, use an approved extension cable suitable for the power input of this tool (see technical data).

The minimum conductor size is 1.5 mm<sup>2</sup>. When using a cable reel, always unwind the cable completely. Also refer to the following table.

ENGLISH

Conductor size (mm <sup>2</sup> )		Cable rating (Amperes)					
0.75		6					
1.00		10					
1.50		15					
2.50		20					
4.00		25					
Cable length (m)							
		7.5	15	25	30	45	60
Voltage	Amperes	Cable rating (Amperes)					
115	0 – 2.0	6	6	6	6	6	10
	2.1 – 3.4	6	6	6	6	6	15
	3.5 – 5.0	6	6	10	15	20	20
	5.1 – 7.0	10	10	15	20	20	25
	7.1 – 12.0	15	15	20	25	25	–
	12.1 – 20.0	20	20	25	–	–	–
230	0 – 2.0	6	6	6	6	6	6
	2.1 – 3.4	6	6	6	6	6	6
	3.5 – 5.0	6	6	6	6	10	15
	5.1 – 7.0	10	10	10	10	15	15
	7.1 – 12.0	15	15	15	15	20	20
	12.1 – 20.0	20	20	20	20	25	–

**ASSEMBLY AND ADJUSTMENT**



**WARNING:** Prior to assembly and adjustment always unplug the tool.



**WARNING:** Always wear gloves when changing accessories. The exposed metal parts on the tool and accessory may become extremely hot during operation.

**Inserting and removing SDS-max<sup>®</sup> accessories – D25901 (fig. 2, 3)**

This machine uses SDS-max<sup>®</sup> chisels (refer to the inset in fig. 3 for a cross-section of a chisel shank).

Only DEWALT recommended accessories should be used with this product.

1. Clean and grease the chisel shank.



**CAUTION:** Do not apply lubricant to the machine.

2. Insert the chisel shank into the tool holder/sleeve (e). Press and turn the chisel slightly until the sleeve snaps into position.
3. Pull on the chisel to check if it is properly locked. The hammering function requires the chisel to be able to move axially several centimetres when locked in the tool holder.

4. To remove a chisel, pull back the tool holder/sleeve (e) and pull the chisel out of the tool holder.

**Inserting and removing 19 mm hex accessories – D25941 (fig. 4, 5)**

This machine uses chisels with a 19 mm hex. shank (refer to the inset in fig. 5 for a cross-section of a chisel shank).

Only DEWALT recommended accessories should be used with this product.

1. Clean and grease the chisel shank.



**WARNING:** Do not apply lubricant to the machine.

2. Pull back the tool holder/sleeve (e), align the groove (g) with the yellow marker (h) and insert the chisel shank into the tool holder. Release the locking sleeve.
3. Pull on the chisel to check if it is properly locked. The hammering function requires the chisel to be able to move axially several centimetres when locked in the tool holder.
4. To remove a chisel, pull back the tool holder/sleeve (e) and pull the chisel out of the tool holder.

**Indexing the chisel position (fig. 6)**

The chisel can be indexed and locked into 12 different positions.

1. Insert the chisel as described above.
2. Rotate the chisel position collar (d) in the direction of the arrow until the chisel is in the desired position.

**Setting the electronic impact power control dial – D25901 (fig. 1)**

Turn the dial (c) to the desired level. The higher the number, the greater the impact energy. With dial settings from «1» (low) to «7» (full power) the tool is extremely versatile and adaptable for many different applications.

The required setting is a matter of experience, for example:

- when chiselling soft, brittle materials or when minimum break-out is required, set the dial to «1» or «2» (low);
- when breaking harder materials, set the dial to «7» (full power).

## Fitting and adjusting the side handle (fig. 7)

The side handle (f) can be mounted on the front of the machine to suit both RH- and LH-users.



**WARNING:** Always operate the machine with the side handle properly mounted.

1. Unscrew the side handle clamp knob (g).
2. Slide the side handle assembly onto the machine locating the steel ring (h) in the mounting area (X). The correct position of the side handle is between head and middle of the tube.
3. Adjust the side handle (f) to the desired angle.
4. Slide and rotate the side handle to the desired position.
5. Lock the side handle in place by tightening the clamp knob (g).

## Instructions for use



### WARNING:

- Always observe the safety instructions and applicable regulations.
- Be aware of the location of pipework and wiring.
- Apply a pressure of approx. 20 - 30 kg to the tool. Excessive force does not speed up chiselling but decreases tool performance and may shorten tool life.

## Switching on and off (fig. 1)

Switching on: set the on/off switch (a) to position 1.

Switching off: set the on/off switch (a) to position 0.

## Demolition, chasing and channelling (fig. 1)

1. Select the appropriate chisel, and clean and grease its shank.
2. Insert the chisel and check whether it is properly locked.
3. Set the desired impact energy level.
4. Fit and adjust the side handle (f) and make sure it is firmly tightened.
5. Hold the tool at both handles (b, f) and switch on. The tool now runs in continuous operation.
6. Always switch off the tool when work is finished and before unplugging.

Various types of chisels are available as an option.

Only DEWALT recommended accessories should be used with this product.

## MAINTENANCE

Your DEWALT power tool has been designed to operate over a long period of time with a minimum of maintenance. Continuous satisfactory operation depends upon proper tool care and regular cleaning

- This machine is not user-serviceable. Take the tool to an authorised DEWALT repair agent after approximately 100 hours of use. If problems occur before this time contact an authorised DEWALT repair agent.

## Accessory maintenance (fig. 8)

Accessory maintenance at the right time guarantees optimal results in application and a long and efficient accessory life.

Grind the chisels on grinding discs. Refer to figure 8 for the appropriate angles of the following chisels:

- spade-shaped chisel (i)
- cold chisel (j)
- pointed chisel (k)
- U-shaped chisel (l)
- hollow chisel (m)
- mortar chisel (n)
- toothed chisel (o)



**WARNING:** These chisels can be reground only a limited number of times. If in doubt, contact your dealer for recommendations.



**WARNING:** Ensure that the cutting edge does not show discolouration caused by too much pressure. This may impair the hardness of the accessory.



## Lubrication

Your power tool requires no additional lubrication.



## Cleaning



**WARNING:** Blow dirt and dust out of the main housing with dry air as often as dirt is seen collecting in and around the air vents. Wear eye protection when performing this procedure.



**WARNING:** Never use solvents or other harsh chemicals for cleaning the non-metallic parts of the tool. These chemicals may weaken the materials used in these parts. Use a cloth dampened only with water and mild soap. Never let any liquid get inside the tool; never immerse any part of the tool into a liquid.

## Optional accessories



**WARNING:** Since accessories, other than those offered by DEWALT, have not been tested with this product, use of such accessories with this tool could be hazardous. To reduce the risk of injury, only DEWALT recommended accessories should be used with this product.

Consult your dealer for further information on the appropriate accessories.

## Accessory maintenance

Accessory maintenance at the right time guarantees optimal results in application and a long and efficient accessory life.

## Protecting the environment



Separate collection. This product must not be disposed of with normal household waste.



Should you find one day that your DEWALT product needs replacement, or if it is of no further use to you, do not dispose of it with household waste. Make this product available for separate collection.



Separate collection of used products and packaging allows materials to be recycled and used again. Re-use of recycled materials helps prevent environmental pollution and reduces the demand for raw materials.

Local regulations may provide for separate collection of electrical products from the household, at municipal waste sites or by the retailer when you purchase a new product.

DEWALT provides a facility for the collection and recycling of DEWALT products once they have reached the end of their working life. To take advantage of this service please return your product to any authorised repair agent who will collect them on our behalf.

You can check the location of your nearest authorised repair agent by contacting your local DEWALT office at the address indicated in this manual. Alternatively, a list of authorised DEWALT repair agents and full details of our after-sales service and contacts are available on the Internet at: [www.2helpU.com](http://www.2helpU.com).

# 电镐

## D25899/D25901/D25941

### 祝贺您!

您已选择了得伟电动工具。凭借多年的经验和在产品开发与创新方面的不断努力，得伟已经成为专业电动工具用户的最可靠伙伴之一。

### 技术数据

		D25899	D25901	D25941
电压	伏	220	220	220
频率	Hz	50	50	50
电流	安时	7.2	8.5	8.9
输入功率	瓦	1,500	1,500	1,600
冲击率	转/分	2,040	1,040-2,040	1,620
冲击能量	J	25	5-25	30.6
夹头类型		SDS-max®	SDS-max®	19mm hex
凿子位置		12	12	12
重量	千克	10	11	13.4

### 定义：安全准则

下列定义解释了各标志术语的严重程度。请仔细阅读本手册并注意这些标志。



**危险：**表示紧急的危险情形，如不加以阻止，将导致**死亡或严重伤害**。



**警告：**表示潜在的危险情形，如不加以阻止，**可能导致死亡或严重伤害**。



**注意：**表示潜在的危险情形，如不加以阻止，**可能导致轻度或中度伤害**。



**注意：**（不带安全警示标志）：表示潜在的危险情形，如不加以阻止，**可能导致财产损失**。

表示有触电危险。



表示火灾危险。

测量值根据EN 60745和2000/14/EC决定。

		D25899	D25901	D25941
L <sub>pA</sub> (声压)	dB(A)	86	89	91
L <sub>WA</sub> (声压功率)	dB(A)	100	100	102
不确定性 K =	dB	3	3	3

总振动值（三轴矢量和）根据EN 60745决定：

凿切，振动发射值 安时 a <sub>h=</sub>	m/s <sup>2</sup>	12	7.9	8.8
不确定性 K	m/s <sup>2</sup>	1.5	1.7	1.5

声明的振动发射值根据标准化测试进行测量，且可用于相互比较工具。

声明的振动发射值也可用于暴露的初步评估。



**警告：**取决于工具的操作方式，实际使用电动工具时的振动发射值可能会与声明的值有所不同。当工具时常使用这种方式操作时，这可能导致重大的估计不足的暴露。

除了提供的工作时间，也应考虑关闭工具或工具在触发时间外闲置运转时的振动暴露程度估计。

这可能会大大减少总体工作时期内的暴露程度。



**警告：**采取适当的听力保护措施。



**警告：**为降低伤害风险，请阅读使用手册。

## 一般安全规则



**警告！**请阅读所有的安全警告和说明。不遵循其警告和说明使用工具可能导致触电、火灾和/或严重伤害事故的发生。

请保存所有的警告和说明以备参考

本警告中的术语“电动工具”指使用电网电源供电的（有绳）电动工具或充电式（无绳）电动工具。

### 1) 工作场地

- 保持工作场地清洁和明亮。**混乱和黑暗的场地会引发事故。
- 请勿在易爆环境，如有易燃液体、气体或粉尘的环境下操作电动工具。**电动工具产生的火花会点燃粉尘或气体。
- 操作电动工具时请远离儿童和旁观者。**注

意力不集中会导致工具失控。

### 2) 电气安全

- 电动工具插头必须与插座相配。请勿以任何方式改装插头。**需接地的电动工具不能使用任何转换插头。原装的插头和相配的插座将减少触电危险。
- 避免人体接触接地表面，如管道、散热片和冰箱。**身体接地会增加触电危险。
- 请勿将电动工具暴露在雨中或潮湿环境中。**电动工具接触水将增加触电危险。
- 请勿滥用电源线。绝不能用电源线搬运、拉动电动工具或拔出其插头。让电源线远离热、油、锐边或运动部件。**受损或缠绕的电源线会增加触电危险。
- 当在户外使用电动工具时，请使用适合户外使用的延长电线。**适合户外使用的电线将减少触电危险。
- 如果在潮湿的环境中使用电动工具，请使用漏电保护装置(RCD)，使用此装置可降低触电危险。

### 3) 人身安全

- 保持警觉，当操作电动工具时关注所从事的操作并保持清醒。**切勿在有疲倦、药物、酒精或治疗反应下操作电动工具。在操作电动工具期间精力分散会导致严重人身伤害。
- 使用安全装置，始终配戴护目镜。**在适当条件下使用防尘面具、防滑安全鞋、安全帽、听力防护等装置能减少人身伤害。
- 避免意外起动。确保工具在接入电源/电池、携带时开关处于关闭状态。**手指放在已接通电源的开关上或开关处于接通时插入电源可能会导致危险。
- 在电动工具起动之前，取掉所有调节钥匙或扳手。**遗留在电动工具旋转零件上的扳手或钥匙会导致人身伤害。
- 不要超越操作距离。**时刻注意身体平衡，这样在意外情况下能更好地控制电动工具。

- f) **合理着装，操作工具时不要穿宽松衣服或佩带饰品。让你的头发、衣服和袖子远离运动部件。**宽松服装、佩饰或长发可能会卷入运动部件。
- g) **如果电动工具提供了与排屑装置、集尘设备连接用的装置，则确保他们连接完好且使用得当。**使用这些装置可减少碎屑引起的危险。

#### 4) 电动工具使用和注意事项

- a) **不要滥用电动工具，根据用途选用适当的电动工具。**合适的电动工具能在其额定的参数下更好更安全的完成作业。
- b) **如果开关不能接通或关闭工具电源，则不能使用该电动工具。**不能用开关来控制的电动工具是危险的且必须进行修理。
- c) **在进行任何调节、更换附件或存放电动工具之前，必须从电源上拔掉插头和/或将电池盒脱开。**这种防护性措施将减少电动工具意外起动的危险。
- d) **将闲置电动工具贮存在儿童所及范围之外，并且不要让不熟悉电动工具或对这些说明不了解的人操作电动工具。**电动工具在未经培训的用户手中是危险的。
- e) **对电动工具进行维护。检查运动部件的安装偏差、零件破损情况和影响电动工具运行的其它条件。如有损坏，电动工具必须在使用前修理好。**许多事故是由于维护不良而引发。
- f) **保持刀具有良好锋利的切削刃，**这样工具不易卡死且易控制。
- g) **按照作业条件和工况情况，同时参照本说明书合理使用工具，附件及刀具。**电动工具用作那些与要求不符的操作可能会导致危险情况。

#### 5) 维修

- a) **电动工具的维修必须由专业维修人员完成，且只能更换使相同规格的部件。**这样能确保所维修的电动工具的安全性。

### 电镐的附加安全守则

- **戴好耳罩。**暴露在噪声中会引起听力损伤。
- **请用随工具提供的辅助手柄。**操作失手会引起人身伤害。
- **钻具可能接触隐藏的电线或工具本身的电源线时，请握住绝缘手柄表面。**钻具如果接触到“带电”导线，工具金属部件表面就会“带电”并使操作人员触电。
- 请注意要进行钻孔的材料是否具有隐蔽的电线或煤气管，并且已经与公用事业局确认其位置。
- 时刻紧握工具。切勿尝试在不使用双手握住工具时操作此工具。单手操作此工具会导致失控。穿透或遇到坚硬材料（如re-bar）也可能发生危险。使用前请务必稳固转紧侧手柄。
- 操作工具前请确保凿子固定到位。
- 在寒冷天气中或在长时间不使用工具时，使用前应让工具空载运转数分钟。
- 在高于地面的位置操作时，请确保操作的下方区域无障碍。
- 在操作后不得立即碰触凿子或靠近凿子的部件，它们可能非常热且会导致皮肤灼伤。
- 始终将电缆放在后面，远离凿子。
- **切勿长时间操作此工具。**锤打操作导致的振动可能会伤害您的手部和手臂。使用手套提供额外的衬垫保护，以及频繁小休来限制暴露程度。

## 包装内容

本包装含有：

- 1个电镐
- 1个侧手柄
- 1个尖凿 ( D25901, D25941 )
- 1个塑料套
- 1本使用手册
- 1份方框图

- 检查工具、部件或配件是否在运输过程中损坏。
- 使用前，请抽空彻底阅读并掌握本手册内容。

## 说明 ( 图1 )

您的得伟电镐设计用于专业应用。

- 开关
- 后手柄
- 电子冲击能量控制盘
- 凿子位置标记轴环
- 工具固定器套管
- 侧手柄

## 预期用途

D25899、D25901和D25941重载电镐设计用于在混凝土、砖块、石头和其他砖石材料上进行重载破坏、切削和雕楼应用。

**不得在**潮湿或存在易燃液体、气体的环境中使用本工具。

本重载电镐是专业型电动工具。不得让儿童接触本工具。无使用经验的人必须在监督下使用。

## 残余风险

- 尽管遵守相关安全规章并采用安全装备，一些残余风险是不可避免的，

它们是：

- 听力损伤。
- 吸入粉尘风险。
- 长时间使用导致的人身伤害风险。
- 使用时配件发热导致的灼伤风险。

## 软启动功能 – D25901, D25941

软启动功能允许更慢地建立冲击率，可在启动时防止凿子或尖端在砖石上“振跳”。

## 有源振动控制 – D25901, D25941

有源振动控制可中和来自锤子机制的回弹振动。降低手部和手臂振动，允许更舒适地在更长的时间内使用本工具，并延长装置的使用寿命。

## 电子冲击能量控制 – 仅限D25901 ( 图1 )

电子冲击能量控制提供下列好处：

- 使用较小附件，无破损风险
- 在凿切软质或易脆材料时可最大程度降低破损
- 是精确凿切的最佳工具

## 电气安全

电动马达仅设计为一种电压。请务必检查电源电压是否与铭牌一致。

您的得伟工具依据EN60745进行双重绝缘，因此无须接地线。



**警告：禁止使用照明电源插座。**



**禁止**将火线(L)或零线(N)接到标志为E或(图示)的接地极上。



**警告：**115伏单位必须通过具有初级和次级绕组之间的接地屏蔽的故障保险隔离变压器操作。

## 延长线的使用

如果需要使用延长线，请使用与此工具(见技术数据)匹配的经认证延长线。

最小导体尺寸为1.5 mm<sup>2</sup>。使用电缆卷筒时，请始终保持电缆完全展开。此外，还可参考下表：

导体尺寸 (mm <sup>2</sup> )	线缆标称值 (安培)					
0.75	6					
1.00	10					
1.50	15					
2.50	20					
4.00	25					
线缆长度 (米)						
	7.5	15	25	30	45	60
电压	安培	线缆标称值 (安培)				
115	0-2.0	6	6	6	6	10
	2.1-3.4	6	6	6	6	15
	3.5-5.0	6	6	10	15	20
	5.1-7.0	10	10	15	20	25
	7.1-12.0	15	15	20	25	-
	12.1-20.0	20	20	25	-	-
230	0-2.0	6	6	6	6	6
	2.1-3.4	6	6	6	6	6
	3.5-5.0	6	6	6	10	15
	5.1-7.0	10	10	10	15	15
	7.1-12.0	15	15	15	20	20
	12.1-20.0	20	20	20	25	-

## 组装与调整



**警告：** 组装与调整之前，必须断开工具的电源连接。



**警告：** 更换附件时请务必佩戴手套。工具和附件上的裸露金属部分可能会在操作过程中变得非常热。

## 插入和卸下SDS-max®附件 – D25901 (图2、3)

本机器使用SDS-max®凿子 (请参阅插页中的图3获取凿杆的横截面图)。

本产品仅可使用得伟推荐的附件。

1. 清洁和用油润滑凿杆尾柄。



**注意：** 切勿在机器上使用润滑剂。

2. 将凿杆插入工具固定器/套管(e)。按下并稍微转动凿子直到套管卡入定位。
3. 拉动凿子以检查它是否正确锁定。锤打功能需要凿子在锁定到工具固定器中时可以轴向移动数厘米。

4. 要卸下凿子，请向后拉工具固定器/套管(e)，然后将凿子从工具固定器中拉出。

## 插入和卸下19毫米六角形附件 – D25941 (图4、5)

本机器使用的凿子具有19毫米六角形杆 (请参阅插页中的图5获取凿杆的横截面图)。

本产品仅可使用得伟推荐的附件。

1. 清洁和用油润滑凿杆。



**警告：** 切勿在机器上使用润滑剂。

2. 请向后拉工具固定器/套管，将凹槽(e)与黄色标记(h)对齐，然后将凿杆插入工具固定器中。松开锁定套管。
3. 拉动凿子以检查它是否正确锁定。锤打功能需要凿子在锁定到工具固定器中时可以轴向移动数厘米。
4. 要卸下凿子，请向后拉工具固定器/套管(e)，然后将凿子从工具固定器中拉出。

## 标记凿子位置 (图6)

可标记凿子并将它锁定在12个不同的位置中。

1. 按照上述说明插入凿子。
2. 按照箭头方向旋转凿子位置轴环(d)，直到凿子位于所需位置。

## 设置电子冲击能量控制盘 – D25901 (图1)

将控制盘(c)转动至所需等级。号码越高，冲击能量就越大。控制盘设置从«1» (低) 至«7» (全功率)，使工具拥有各种功能并适用于许多不同应用。

依据经验设置所需操作，例如：

- 在凿切软质、易脆材料或在需要最大限度降低破损时，将控制盘设置至«1» 或«2» (低)；
- 在钻穿硬质材料时，将控制盘设置至«7» (全功率)。

## 安装和调整侧手柄 (图7)

侧手柄(f)可安装在机器前端, 适合右手和左手用户。



**警告:** 务必在正确安装侧手柄后才操作机器。

1. 转送侧手柄夹钳旋钮(g)。
2. 将侧手柄组件滑动至机器上的钢环(h), 它位于安装区域(X)中。侧手柄的正确位置介于管的前端和中间的位置。
3. 将侧手柄(f)调整至所需的角度的。
4. 将侧手柄滑动和旋转至所需位置。
5. 通过转紧夹钳旋钮(g)将侧手柄锁定到位。

## 使用说明



**警告:**

- 请始终遵守安全守则以及适用规则的要求。
- 注意水管和电线的布线位置。
- 对工具施加约 20 – 30 千克的压力。过度用力不会加快凿切, 而且会降低工具性能并可能缩短工具使用寿命。

## 打开和关闭 (图1)

打开: 将开关(a)设置至位置1。

关闭: 将开关(a)设置至位置0。

## 破坏、雕镂和凿槽 (图1)

1. 选择适当的凿子, 并清洁和用油润滑凿杆。
2. 插入凿子并检查它是否正确锁定到位。
3. 设置所需的冲击能量等级。
4. 安装和调整侧手柄(f)并确定它稳固锁紧。
5. 用双手紧握两个手柄 (b、f) 并打开电源。现在, 工具以连续操作运行。
6. 在工作完毕、拔下工具插头之前, 请务必关闭工具开关。

备有各种类型的凿子选件供选择。

本产品仅可使用得伟推荐的附件。

## 保养

您的得伟电动工具设计精良, 可以长期使用, 仅需极少维护。要连续获得令人满意的工作效果, 需要您进行正确的保养和定期的清洁。

- 本工具不是用户可检修的器具。在您的工具经过约100小时的使用之后, 请将它送往授权的得伟维修代理。如果在这之前出现问题, 请与授权的得伟维修代理联系。

## 附件保养 (图8)

在正确时间进行附件保养, 可确保应用的最佳结果以及长而有效的附件寿命。

用磨片研磨凿子。请参阅图8以获得下列凿子的适当角度:

- 扁形凿(i)
- 冷凿(j)
- 尖凿(k)
- U形凿(l)
- 空心凿(m)
- 臼凿(n)
- 齿凿(o)



**警告:** 这些凿子只能重新接地数次。若有疑问, 请联络您的代理商以获得建议。



**警告:** 确保刀刃不会因为过度压力而变色。这可能影响附件的硬度。



## 润滑

本电动工具无须另行润滑。



## 清洁



警告：一旦通风口及其周围积聚可见的粉尘，请即用干燥的压缩空气吹走主机外壳内的粉尘和灰尘。进行这一步骤时，请佩戴口罩。



警告：切勿使用溶剂或其它刺激性化学品来清洁工具的非金属部件。这些化学品可能削弱零件中使用的材料。只能使用抹布蘸中性肥皂水进行清洁。勿使任何液体进入工具；勿使工具的任何部分浸入液体中。

## 附件的选择



警告：由于非得伟附件未经本产品匹配测试，本工具若使用此类附件，将存在隐患。为降低人身伤害风险，本产品仅可使用得伟推荐的附件。

请向零售商咨询合适附件的更多信息。

## 附件保养

在正确时间进行附件保养，可确保应用的最佳结果以及长而有效的附件寿命。

## 保护环境



个别收集。本产品必须与一般家庭废物分开处理。

如果您发现您的得伟产品需要进行替换，或您已经不再需要使用这些产品，请不要将它们与家庭废物一起处理。务必将本产品送往个别收集处。



个别收集用过的产品和包装允许材料再循环利用。重新使用循环利用的材料有助于防止环境污染，并减少原始材料的需求。

当您购买新产品时，可能提供从家用、城市垃圾站或通过零售商个别收集电气产品的当地法规。

得伟提供设施收集和再循环利用使用寿命到期的得伟产品。要利用这项服务，请将您的产品送往任何授权的维修代理，他们将协助我们收集这些回收产品。

要查询最靠近您的授权维修代理，您可联络本手册中给出的您当地的得伟办事处。您也可以通过网站获得授权的得伟维修代理列表以及我们售后服务与联络人的完整详情，网站：

[www.2helpU.com](http://www.2helpU.com).

制造商：百得捷克公司

地址：捷克

한국어

# 데몰리션 햄머 D25899/D25901/D25941

## 축하합니다!

DEWALT 전동 공구를 선택해 주셔서 감사합니다. DEWALT는 오랜 경험과 제품 개발 및 혁신을 통해 전문 전동 공구 사용자들이 인정하는 기업으로 자리잡아 왔습니다.

## 기술 데이터

		D25899	D25901	D25941
전압	V	220	220	220
주파수	Hz	60	60	60
전류	A	7.2	8.5	8.9
전원 입력	W	1,510	1,510	1,600
충격율	min <sup>-1</sup>	2,040	1,040-2,040	1,620
충격 에너지	J	25	5-25	30.6
공구 홀더		SDS-max®	SDS-max®	19mm hex
치즐 위치		12	12	12
중량	kg	10	11	13.4

## 정의: 안전 지침

다음 정의는 각 경고 문구의 심각도를 설명합니다. 사용 설명서를 읽고 다음과 같은 기호들에 유의하십시오.



**위험:** 절박한 위험 상태를 나타내며, 방지하지 않으면 **사망 또는 심각한 부상**을 초래합니다.



**경고:** 잠재적으로 위험한 상태를 나타내며, 방지하지 않으면 **사망 또는 심각한 부상**을 초래할 수도 있습니다.



**주의:** 잠재적으로 위험한 상태를 나타내며, 방지하지 않으면 경미하거나 **가벼운 부상**을 초래할 수 있습니다.

**주의:** 안전 경고 기호 없이 사용될 경우 잠재적으로 위험한 상태를 나타내며, 방지하지 않으면 **재산상의 손해**가 발생할 수 있습니다.



감전 위험을 나타냅니다.



화재 위험을 나타냅니다.

측정된 값은 EN 60745 및 2000/14/EC에 따라 결정되었음.

		D25899	D25901	D25941
L <sub>PA</sub> (음압)	dB(A)	86	89	91
L <sub>WA</sub> (음력)	dB(A)	100	100	102
불확실성 K	dB	3	3	3

진동 총 값(triax 벡터 합계)은 EN 60745에 따라 결정되었음:

치즐링, 진동 방출 값 a <sub>h</sub>	= m/s <sup>2</sup>	12	7.9	8.8
불확실성 K	m/s <sup>2</sup>	1.5	1.7	1.5

표기된 진동 방출 값은 표준 테스트 방법에 따라 측정되었으므로 한 공구를 다른 공구와 비교하는 데 사용할 수 있습니다.

표기된 진동 방출 값은 노출에 대한 예비 평가를 위해서도 사용할 수 있습니다.



**경고:** 전동 공구를 실제로 사용하는 동안의 진동 방출 값은 공구를 사용하는 방법에 따라 표기된 값과 다를 수 있습니다. 이로 인해 공구를 그러한 방식으로 정기적으로 사용하면 노출이 상당히 과소평가될 수 있습니다.

주어진 작업 기간 동안 경험한 진동에 대한 노출 레벨 추정 시 공구 전원이 꺼졌을 때와 작동되고 있으면서 공회전 하는 시간을 고려해야 합니다.

이것은 총 작업 기간에 걸쳐 노출 레벨을 대폭 감소시킬 수 있습니다.



**경고:** 청력 보호를 위해 적절한 조치를 취하십시오.



**경고:** 부상 위험을 줄이려면 사용 설명서를 숙지하십시오.

## 전동 공구에 관한 일반 안전 경고



**경고! 모든 안전 경고와 모든 지시사항을 읽으십시오.** 경고와 지시사항을 준수하지 않으면 감전, 화재 및/또는 심각한 부상을 초래할 수 있습니다.

**향후 참고할 수 있도록 모든 경고 및 지시 사항을 보관해두십시오.**

경고에서 사용된 “전동 공구” 라는 용어는 주 공급 전원에 의해 전기가 공급되는(코드 있음) 전동 공구 또는 충전식(코드 없음) 전동 공구를 의미합니다.

### 1) 작업 영역 안전

- 작업 영역을 청결하고 밝게 유지하십시오.** 혼잡하거나 어두운 작업 영역에서는 사고가 발생하기 쉽습니다.
- 가연성 액체, 가스 또는 먼지 등 폭발성 분위기에서 전동 공구를 사용하지 마십시오.** 전동 공구에 먼지나 연기를 발화시킬 수 있는 불꽃이 될 수 있습니다.
- 전공 공구를 사용하는 동안에는 어린이와 주변 사람들이 작업 영역에 가까이 들어오지 못하도록 하십시오.** 주변이 산만해져 통제력을 잃을 수 있습니다.

### 2) 전기 안전

- 전동 공구의 플러그는 콘센트와 형식이 일치해야 합니다.** 플러그를 어떤 방식으로든 절대 개조하지 마십시오. 접지된(지면 접지) 전동 공구와 함께 어댑터 플러그도 사용하지 마십시오. 개조되지 않은 플러그 및 형식이 일치하는 콘센트를 사용하면 감전 위험이 줄어듭니다.
- 파이프, 라디에이터, 렌지 및 냉장고 등과 같이 접지된 표면에 몸이 닿지 않도록 하십시오.** 신체가 접지되어 있으면 감전 위험이 높아집니다.
- 전동 공구를 비 또는 습한 환경에 노출하지 않도록 주의하십시오.** 전동 공구에 물이 들어가면 감전 위험이 높아집니다.
- 코드를 함부로 다루지 마십시오.** 코드를 사용하여 전동 공구를 운반하거나 잡아당기거나 플러그를 빼지 마십시오. 열, 오일, 날카로운 모서리 또는 움직이는 부품에서 멀리 떨어진 장소에 코드를 보관하십시오. 코드가 손상되거나 뒤얽혀 있으면 감전 위험이 높아집니다.
- 전동 공구를 실외에서 사용할 때는 실외 사용에 적합한 연장 코드를 사용하십시오.** 실외 사용에 적합한 코드를 사용하면 감전 위험이 줄어듭니다.
- 어쩔 수 없이 습한 장소에서 전동 공구를 사용해야 하는 경우에는 누전 차단기(RCD)로 보호된 전원 공급 장치를 사용하십시오.** RCD를 사용하면 감전 위험이 줄어듭니다.

### 3) 신체 안전

- 전동 공구로 작업할 때는 방심하지 말고 작업에 주의하면서 상식에 따르십시오.** 피곤한 상태이거나 약물, 술, 치료제를 복용한 상태에서는 전동 공구를 사용하지 마십시오. 전동 공구를 사용하는 중에 주의력을 잃어 순간적으로 부상을 당할 수 있습니다.
- 신체 보호 장구를 착용하십시오.** 항상 보안경을 착용하십시오. 상황에서 방진 마스크, 미끄럼 방지 안전화, 안전모 또는 청력 보호 기구 등의 보호 장비를 사용하면 신체 부상 위험이 줄어듭니다.
- 의도하지 않은 장비 가동 방지.** 전원 및/또는 배터리 팩에 연결한 상태로 공구를 선택 또는 운반할 때는 사전에 스위치가 꺼짐 위치에 있는지 반드시 확인하십시오. 스위치가 켜짐 위치에 있는 상태에서 스위치에 손가락이 닿은 상태로 전동 공구를 운반하거나 전동 공구에 전원을 공급하면 사고가 발생합니다.
- 전동 공구를 켜기 전에 모든 조정 키 또는 렌치를 제거하십시오.** 전동 공구의 회전 부품에 렌치나 키가 부착되어 있으면 부상을 당할 수 있습니다.

- e) 무리하게 팔을 뻗지 마십시오. 항상 올바른 자세로 서서 균형을 유지하십시오. 그러면 예기치 않은 상황에서 전동 공구에 대한 제어력이 향상됩니다.
- f) 적절한 의복을 착용합니다. 헐렁한 옷이나 장신구를 착용하지 마십시오. 머리카락, 옷 및 장갑이 움직이는 부품에 닿지 않도록 유의하십시오. 헐렁한 옷, 장신구 또는 긴 머리가 움직이는 부품에 낄 수 있습니다.
- g) 먼지 배출 및 집진 시설 연결을 위한 장치가 제공된 경우, 이들 장치가 연결되어 적절히 사용되고 있는지 반드시 확인하십시오. 집진 장치를 사용하면 먼지와 관련된 위험을 줄일 수 있습니다.

**4) 전동 공구 사용 및 주의 사항**

- a) 전동 공구에 무리한 힘을 가하지 마십시오. 해당 용도에 맞는 올바른 전동 공구를 사용하십시오. 올바른 전동 공구를 사용해야 설계된 속도로 작업을 더욱 안전하고 정확하게 수행할 수 있습니다.
- b) 스위치로 켜지고 꺼지지 않는 전동 공구는 사용하지 마십시오. 스위치로 제어되지 않는 전동 공구는 위험하며 수리해야 합니다.
- c) 전동 공구를 조정하거나 액세서리를 변경하거나 보관하기 전에 전원 및/또는 배터리 팩에서 플러그를 빼십시오. 이러한 예방적 안전 조치를 따라야 전동 공구가 갑자기 작동할 위험이 줄어듭니다.
- d) 사용하지 않는 전동 공구는 어린이의 손이 닿지 않는 곳에 보관하고, 전동 공구나 본 지시 사항에 익숙하지 않은 사람이 전동 공구를 절대 사용하지 못하게 하십시오. 전동 공구는 훈련을 받지 않은 사용자가 다루면 위험합니다.
- e) 전동 공구 유지 보수. 움직이는 부품의 잘못된 정렬이나 바인딩, 부품 파손 및 기타 전동 공구의 작동에 영향을 미칠 수 있는 상태가 있는지 확인하십시오. 손상된 부분이 있는 경우 사용하기 전에 전동 공구를 수리하십시오. 많은 사고는 전동 공구를 제대로 유지 보수하지 않아 발생합니다.
- f) 절삭 공구를 예리하고 깨끗한 상태로 유지하십시오. 유지 보수를 올바르게 수행하여 절삭 가장자리가 예리한 절삭 공구를 사용하면 바인딩이 적고 다루기가 용이합니다.
- g) 작업 환경과 수행할 작업을 고려하여, 본 지시 사항에 따라 전동 공구, 액세서리 및 톨 비트 등을 사용하십시오. 본 사용 설명서의 내용과 다른 용도로 전동 공구를 사용하면 위험한 상황이 발생할 수 있습니다.

**5) 정비**

- a) 자격을 갖춘 기술자가 동일 교체 부품을 사용하여 정비 작업을 수행해야 합니다. 그래야 전동 공구의 안전이 보장됩니다.

**데몰리션 햄머 관련 추가 안전 지시 사항**

- 귀 보호 장구를 착용하십시오. 소음에 노출되면 청력이 손상될 수 있습니다.
- 공구와 함께 제공되는 보조 핸들을 사용하십시오. 제어력을 잃으면 신체 부상을 당할 수 있습니다.
- 절삭 공구가 숨겨진 배선 또는 자체 코드에 접촉할 수 있는 작업을 수행할 때는 절연된 그림핑 표면이 닿도록 하여 전동 공구를 잡으십시오. “전류가 흐르는” 전선에 접촉된 절삭 액세서리는 공구의 노출된 금속 부품을 “전류가 흐르는” 상태로 만들어 작업자를 감전시킬 수 있습니다.
- 드릴 작업을 하는 자재에 전기 또는 가스 서비스가 숨겨져 있지 않은지, 그리고 그러한 위치를 전기 및 가스 회사와 확인했는지 확인하십시오.
- 항상 공구를 꽉 잡으십시오. 공구를 양손으로 잡지 않고 이 공구를 작동하려고 시도하지 마십시오. 한 손으로 이 공구를 사용하면 제어력을 잃을 수 있습니다. 강철봉과 같은 단단한 재질을 뚫는 것 또한 위험할 수 있습니다. 사용하기 전에 사이드 핸들을 단단히 조이십시오.
- 공구를 작동하기 전에 치출이 제자리에 고정되어 있는지 확인하십시오.
- 추운 날씨 또는 공구를 장시간 사용하지 않았을 때는 사용하기 전에 몇 분간 부하 없이 공구를 가동하십시오.
- 지표면 위에서 작업할 때는 아래 영역이 깨끗한지 확인하십시오.
- 매우 뜨거운 화상을 입을 수 있으므로 작동 후 곧바로 치출 또는 치출 근처에 있는 부품을 만지지 마십시오.
- 항상 전원 케이블이 치출에서 멀리 떨어진 뒤쪽을 향하도록 두십시오.
- 본 공구를 장시간 사용하지 마십시오. 햄머 작동으로 인한 진동은 손과 팔에 유해할 수 있습니다. 장갑을 사용하여 추가 쿠션을 제공하고 종종 휴식을 취하여 노출을 제한하십시오.

## 포장 상자의 내용물

포장 상자에는 다음 내용물이 들어 있습니다.

데몰리션 햄머 1개

사이드 핸들 1개

뾰족한 치즐 1개 (D25901, D25941)

플라스틱 케이스 1개

사용 설명서 1개

분해도 1개

- 운반 중에 발생할 수 있는 공구, 부품 또는 액세서리의 손상 여부를 확인하십시오.
- 작동 전에 시간을 내어 본 사용 설명서를 읽고 숙지하십시오.

## 설명(그림 1)

DEWALT 데몰리션 햄머는 전문가용 드릴로 제작되었습니다.

- On/Off 스위치
- 리어 핸들
- 전자 충격 에너지 제어 장치 다이얼
- 치즐 위치 색인 칼라
- 공구 홀더/슬리
- 사이드 핸들

## 용도

D25899, D25901 및 D25941 고성능 데몰리션 햄머는 콘크리트, 벽돌, 돌 및 기타 석재에서 고성능 폭파, 치핑 및 조금 용도로 제작되었습니다.

습한 환경이나 가연성 액체 또는 가스가 있는 장소에서 사용하지 **마십시오**.

본 고성능 데몰리션 햄머는 전문가용 공구입니다. 어린이가 이 공구를 만지지 **않도록 하십시오**. 경험이 없는 작업자가 이 공구를 사용할 때는 감독자의 지도가 필요합니다.

## 기타 잔류 위험

- 관련된 안전 규정을 준수하고 안전 장치를 사용한다고 해도 특정한 위험은 피할 수 없습니다. 이러한 위험은 다음과 같습니다.
  - 청력 손상.
  - 먼지 흡입 위험.
  - 장시간 사용으로 인한 신체 부상의 위험.
  - 작업 중 뜨거워지는 액세서리로 인한 화상 위험.

## 소프트 스타트 기능 - D25901, D25941

소프트 스타트 기능을 통해 충격율을 더 서서히 높일 수 있으므로, 치즐 또는 뾰족한 끝부분이 석공 주변에 “튀기는 것” 을 방지합니다.

## 능동 진동 제어 - D25901, D25941

능동 진동 제어 장치는 햄머 기계 장치의 반향 진동을 완화시켜줍니다. 손과 팔의 진동을 줄여서 장시간 더 편안하게 사용할 수 있도록 하고 기기의 수명을 연장해 줍니다.

## 전자 충격 에너지 제어 - D25901만 해당(그림 1)

전자 충격 에너지 제어 장치(c)는 다음과 같은 이점을 제공합니다.

- 파손 위험이 없는 더 작은 액세서리 사용
- 약하거나 부서지기 쉬운 재재를 치즐링할 때 파손을 최소화함
- 정확한 치즐링을 위해 최상의 공구 제어

## 전기 안전

전기 모터는 한 가지 전압에만 맞추어 설계되었습니다. 전원이 명판에 표시된 전압과 일치하는지 항상 확인하십시오.



DEWALT 공구는 EN 60745에 따라 이중 절연되어 있습니다. 따라서 접지선이 필요하지 않습니다.



**경고: 절대** 라이트 소켓을 사용하지 마십시오.

활성(L) 또는 중성(N) 와이어를 E 또는 N으로 표시된 접지 판에 **절대** 연결하지 마십시오.



**경고:** 115 V 기기는 첫 번째 감은 것과 두 번째 감은 것 사이의 접지판과 함께 안전 페일 세이프 절연 변압기 통해 작동되어야 합니다.

## 연장 케이블 이용

연장 케이블이 필요할 경우 이 공구의 전원 입력에 맞는 승인된 연장 케이블을 사용하십시오(기술 데이터 참조).

최소 도체 크기는 1.5 mm<sup>2</sup>입니다. 케이블 릴을 사용할 때는 항상 케이블을 완전히 푸십시오. 또한 다음 표도 참조하십시오.

한국어

도체 크기(mm²)	케이블 정격(A)					
0.75	6					
1.00	10					
1.50	15					
2.50	20					
4.00	25					
케이블 길이 (m)						
	7.5	15	25	30	45	60
전압 암페어	케이블 정격(A)					
115 0-2.0	6	6	6	6	6	10
2.1-3.4	6	6	6	6	6	15
3.5-5.0	6	6	10	15	20	20
5.1-7.0	10	10	15	20	20	25
7.1-12.0	15	15	20	25	25	-
12.1-20.0	20	20	25	-	-	-
230 0-2.0	6	6	6	6	6	6
2.1-3.4	6	6	6	6	6	6
3.5-5.0	6	6	6	6	10	15
5.1-7.0	10	10	10	10	15	15
7.1-12.0	15	15	15	15	20	20
12.1-20.0	20	20	20	20	25	-

조립 및 조정



**경고:** 조립 및 조정하기 전에 항상 공구의 플러그를 빼십시오.



**경고:** 액세서리를 교환할 때는 항상 장갑을 착용하십시오. 작동 중에는 공구와 액세서리의 노출된 금속 부분이 매우 뜨거울 수 있습니다.

SDS-max® 액세서리 삽입 및 제거- D25901(그림 2, 3)

본 기기는 SDS-max® 치즐을 사용합니다(치즐 샹크의 단면도는 그림 3의 삽입도를 참조하십시오).

DEWALT에서 권장하는 액세서리만 이 제품과 함께 사용해야 합니다.

1. 치즐 샹크를 닦고 그리스를 바릅니다.



**주의:** 기기에 윤활유를 바르지 마십시오.

2. 치즐 샹크를 공구 홀더/슬리브(e)에 끼웁니다. 슬리브가 제자리에 고정될 때까지 치즐을 약간 눌러서 돌립니다.
3. 치즐을 잡아 당겨 제대로 잠겼는지 확인하십시오.

해머링 기능을 사용하려면 공구 홀더에 잠겨 있을 때 치즐을 축 방향으로 몇 센티미터 이동할 수 있어야 합니다.

4. 치즐을 제거하려면 공구 홀더/슬리브(e)를 뒤로 당겨 치즐을 공구 홀더에서 빼냅니다.

19 mm 6각 액세서리 - D25941 (그림 4, 5)

이 기기는 19 mm 6각 샹크의 치즐을 사용합니다. (치즐 샹크의 단면도는 그림 5의 삽입도를 참조하십시오).

DEWALT에서 권장하는 액세서리만 이 제품과 함께 사용해야 합니다.

1. 치즐 샹크를 닦고 그리스를 바릅니다



**경고:** 기기에 윤활유를 바르지 마십시오.

2. 공구 홀더/슬리브(e)를 뒤로 당기고, 홈(g)을 노란색 표시 지점(h)에 맞추고 치즐 샹크를 공구 홀더에 끼웁니다. 록킹 슬리브를 놓습니다.
3. 치즐을 잡아 당겨 제대로 잠겼는지 확인하십시오. 해머링 기능을 사용하려면 공구 홀더에 잠겨 있을 때 치즐을 축 방향으로 몇 센티미터 이동할 수 있어야 합니다.
4. 치즐을 제거하려면 공구 홀더/슬리브(e)를 뒤로 당겨 치즐을 공구 홀더에서 빼냅니다.

치즐 위치 표시(그림 6)

치즐은 12개의 다양한 위치로 표시하고 잠글 수 있습니다.

1. 위에 설명한 대로 치즐을 삽입합니다.
2. 치즐이 원하는 위치에 있을 때까지 화살표 방향으로 치즐 위치 칼라(d)를 돌립니다.

전자 임팩트 파워 제어 다이얼 설정 - D25901(그림 1)

다이얼(c)을 원하는 레벨로 돌립니다. 숫자가 높아질수록 충격 에너지가 커집니다. «1» (낮음)에서 «7» (전력)까지 다이얼을 설정하여 공구를 매우 다양하게 사용할 수 있고 많은 다른 용도에 적용할 수 있습니다.

필요한 설정은 경험에 달려 있습니다. 예를 들어,

- 약하고, 부서지기 쉬운 재제를 치즐할 때 또는 최소한의 분쇄가 필요할 때는 다이얼을 «1» 또는 «2» (낮음)으로 설정하고,
- 더 딱딱한 재제를 부술 때는 «7»(최대 전력)로 다이얼을 설정합니다.

## 사이드 핸들 장착 및 조정(그림 7)

사이드 핸들(f)은 오른손 및 왼손 사용자에게 맞게 기기 앞쪽에 장착할 수 있습니다.



**경고:** 항상 사이드 핸들을 올바르게 장착한 상태에서 기기를 작동하십시오.

1. 사이드 핸들 클램프 노브(g) 나사를 풀니다.
2. 사이드 핸들 어셈블리를 기기 위로 밀어서 쇠고리(h)가 장착 영역(X)에 위치하도록 합니다. 사이드 핸들의 정확한 위치는 튜브의 위쪽과 중간 지점 사이입니다.
3. 사이드 핸들(f)을 원하는 각도로 조정합니다.
4. 사이드 핸들을 원하는 위치로 움직여서 돌립니다.
5. 클램프 노브(g)를 조여서 사이드 핸들을 제자리에 고정합니다.

## 사용 지침



**경고:**

- 항상 안전 지시 사항과 해당 규정을 준수하십시오.
- 파이프 구조 및 배선 위치를 알아 두십시오.
- 공구에 약 20 - 30 kg의 압력을 가하십시오. 과도한 힘을 가하면 치출링 속도가 올라가지 않고 공구 성능이 감소하고 공구 수명이 단축될 수 있습니다.

## 전원 켜기 및 끄기(그림 1)

전원 켜기: on/off 스위치(a)를 1 위치로 설정합니다.

전원 끄기: on/off 스위치(a)를 0 위치로 설정합니다.

## 폭파, 조금 및 채널링(그림 1)

1. 적합한 치출을 선택하고 상크를 닦은 후 그리스를 바꿉니다.
2. 치출을 끼우고 제대로 고정되었는지 확인합니다.
3. 원하는 충격 에너지 레벨을 설정합니다.
4. 사이드 핸들(f)을 맞추어 조정하고 확실히 고정되었는지 확인합니다.
5. 양손(b, f)으로 공구를 잡고 전원을 켭니다. 이제 공구가 계속 작동 상태에 있습니다.
6. 작업이 끝나면 플러그를 빼기 전에 항상 공구 스위치를 꺼짐 위치로 놓습니다.

다양한 종류의 치출을 옵션으로 사용할 수 있습니다.

DeWALT에서 권장하는 액세서리만 이 제품과 함께 사용해야 합니다.

## 유지 보수

DeWALT 전동 공구는 최소한의 유지 보수로 장기간에 걸쳐 작업이 가능하도록 설계되어 있습니다. 오랜 시간 만족스러운 성능으로 공구를 사용하려면 적합한 공구 관리와 정기적인 청소가 중요합니다.

- 본 기기는 사용자가 수리할 수 없습니다. 약 100 시간 사용 후에는 공인 DeWALT 수리 대리점에 수리를 의뢰하십시오. 이 시간 이전에 문제가 발생할 경우 공인 DeWALT 수리 대리점에 문의하십시오.

## 액세서리 유지 보수(그림 8)

적시에 액세서리를 유지 보수하면 사용 시 최상의 결과와 효율적이고 오래 가는 액세서리 수명을 보장합니다.

본쇄 디스크에서 치출을 연마합니다. 다음 치출의 알맞은 각도에 대해서는 그림 8을 참조하십시오.

삼 모양 치출(i)

냉각 치출(j)

뾰족한 치출(k)

U-모양 치출(l)

오목한 치출(m)

모르타르 치출(n)

톱니 모양 치출(o)



**경고:** 이러한 치출은 제한된 횟수만 다시 갈 수 있습니다. 확실하지 않을 경우, 판매 대리점으로 문의하여 알아보십시오.



**경고:** 너무 많은 압력으로 인해 절삭 가장자리가 변색되지 않았는지 확인하십시오. 이로 인해 액세서리의 견고함이 줄어들 수 있습니다.



## 윤활 작업

전동 공구는 별도의 윤활 작업이 필요하지 않습니다.



### 청소



**경고:** 통풍구 속이나 주변에 먼지가 쌓여있는 것이 보이면 가능한 한 자주 건조한 공기를 이용하여 몸체에서 먼지를 불어내십시오. 이 절차를 수행할 때는 눈 보호 장구를 착용하십시오.



**경고:** 공구의 금속 이외의 부품을 청소할 때는 용제 등의 강력한 화학약품을 절대 사용하지 마십시오. 그렇지 않으면 이러한 부분에 사용된 재료가 약해질 수 있습니다. 형겅에 물과 순한 비누를 적셔 닦아주십시오. 공구 내부에 액체를 넣거나 공구 부품을 액체에 담그는 행동은 절대 금물입니다.

### 옵션 액세서리



**경고:** DEWALT에서 제공하지 않은 액세서리는 본 제품에서 테스트되지 않았으므로 본 제품에 이러한 액세서리를 사용하면 위험할 수 있습니다. 신체 부상의 위험을 줄이려면 본 제품에 DEWALT 권장 액세서리만 사용해야 합니다.

해당 액세서리에 대한 자세한 정보는 판매 대리점으로 문의하십시오.

### 액세서리 유지 보수

적시에 액세서리를 유지 보수하면 사용 시 최상의 결과와 효율적이고 오래 가는 액세서리 수명을 보장합니다.

### 환경 보호



분리 수거. 본 제품을 일반 가정용 쓰레기로 처리하면 안됩니다.



DEWALT 제품을 교체해야 하거나 더 이상 쓸모가 없어졌다고 판단될 때는 본 제품을 가정용 쓰레기와 함께 처리하지 마십시오. 이 제품은 분리 수거하십시오.



사용하던 제품과 포장을 분리 수거하면 자원을 재활용 및 재사용할 수 있습니다. 재활용 자원을 이용하면 환경 오염이 방지되고 고철 자원에 대한 수요를 줄일 수 있습니다.

지역에 따라 가정용 가전제품을 분리 수거하는 규정이 마련되어 있거나 새로운 제품을 구입할 때 판매점에서 폐기 방법을 알려줄 수 있습니다.

DEWALT는 사용이 끝난 DEWALT 제품을 수집하여 재활용하기 위한 시설을 운영하고 있습니다. 이 서비스를 활용하려면 당사가 폐제품 수거를 위임한 공인 수리 대리점에 제품을 반환해 주십시오.

본 사용 설명서에 기재된 연락처로 가까운 DEWALT 영업소에 연락하면 가까운 공인 수리 대리점 위치를 확인할 수 있습니다. 또는 다음 웹 사이트를 방문하여 DEWALT 공인 수리 대리점 목록과 A/S 및 연락처 등 자세한 정보를 찾아볼 수 있습니다.

[www.dewalt.co.kr](http://www.dewalt.co.kr)

## เครื่องสกัดทำลายคอนกรีต D25899/D25901/D25941

### ขอแสดงความยินดี!

คุณได้เลือกใช้เครื่องมือไฟฟ้าของ DEWALT ด้วยประสบการณ์ยาวนานหลายปี ตลอดจนการพัฒนาผลิตภัณฑ์และนวัตกรรมใหม่ๆ ทำให้ DEWALT เป็นหนึ่งในเครื่องมือไฟฟ้าที่น่าเชื่อถือที่สุดสำหรับกลุ่มผู้ใช้เครื่องมือไฟฟ้าระดับมืออาชีพ

### ข้อมูลทางด้านเทคนิค

		D25899	D25901	D25941
แรงดันไฟฟ้า	โวลต์	220-240	220-240	220-240
ความถี่	Hz	50/60	50/60	50
กระแสไฟฟ้า	A	7.2	8.5	8.9
กำลังไฟเข้า	วัตต์	1,500	1,500	1,600
อัตรากระแทก	นาที <sup>-1</sup>	2,040	1,040-2,040	1,620
แรงกระแทก	J	25	5-25	30.6
ที่จับอุปกรณ์		SDS-max®	SDS-max®	19mm hex
ตำแหน่งดอกสกัด		12	12	12
น้ำหนัก	กก.	10	11	13.4

### คำจำกัดความ: ข้อแนะนำด้านความปลอดภัย

คำจำกัดความด้านล่างอธิบายถึงระดับความรุนแรงของ ความอันตรายที่ใช้เรียกสัญลักษณ์ต่างๆ โปรดอ่านคู่มือและ ทำความเข้าใจกับสัญลักษณ์เหล่านี้



**อันตราย:** หมายถึงสถานการณ์ที่ก่อให้เกิดอันตรายได้อย่างฉับพลัน ซึ่งหากไม่ระวัง จะทำให้เสียชีวิตหรือบาดเจ็บสาหัสได้



**คำเตือน:** หมายถึงสถานการณ์ที่มีแนวโน้มว่า อาจก่อให้เกิดอันตราย ซึ่งถ้าไม่ระวัง สามารถทำให้เสียชีวิตหรือบาดเจ็บสาหัสได้



**ข้อควรระวัง:** หมายถึงสถานการณ์ที่มีแนวโน้มว่าจะก่อให้เกิดอันตราย ซึ่งถ้าไม่ระวัง อาจทำให้ได้รับบาดเจ็บเล็กน้อยหรือปานกลาง

**ข้อควรระวัง:** การใช้งานในกรณีที่ไม่มีความระมัดระวัง อาจก่อให้เกิดอันตราย ซึ่งถ้าไม่ระวัง อาจทำให้ทรัพย์สิน ขาดเสียหายได้



แสดงถึงอันตรายจากการถูกไฟฟ้าดูด



แสดงถึงอันตรายจากการเกิดเพลิงไหม้

ค่าที่วัดได้ตามมาตรฐาน EN 60745 และ 2000/14/EC

		D25899	D25901	D25941
L <sub>pa</sub> (แรงดันเสียง)	dB(A)	86	89	91
L <sub>wa</sub> (กำลังเสียง)	dB(A)	100	100	102
ความไม่แน่นอน K	dB	3	3	3

ค่ารวมของการสั่นสะเทือน (triax vector sum) ตามมาตรฐาน EN 60745:

		D25899	D25901	D25941
การสกัด, ค่าการปล่อยแรงสั่นสะเทือน a <sub>h</sub>	m/s <sup>2</sup>	12	7.9	8.8
ความไม่แน่นอน K	m/s <sup>2</sup>	1.5	1.7	1.5

## ภาษาไทย

ค่าการปล่อยแรงสั่นสะเทือนที่ระบุไว้ ได้รับการตรวจวัดตามวิธีการทดสอบมาตรฐาน และอาจนำมาใช้เพื่อเปรียบเทียบเครื่องมือชนิดหนึ่งกับเครื่องมืออีกชนิดหนึ่ง

ค่าการปล่อยแรงสั่นสะเทือนที่ระบุไว้ อาจนำมาใช้สำหรับการประเมินผลเบื้องต้นของการสั่นสะเทือนก็ได้



**คำเตือน:** ค่าการปล่อยแรงสั่นสะเทือนในระหว่างการใช้งานจริงของเครื่องมือไฟฟ้าอาจแตกต่างจากค่าที่ระบุไว้ โดยขึ้นอยู่กับวิธีการใช้เครื่องมือ ซึ่งอาจนำไปสู่การประเมินค่าการสั่นสะเทือนที่ต่ำเกินไป เมื่อใช้เครื่องมือเป็นประจำในลักษณะดังกล่าว

ควรนำค่าระดับการสั่นสะเทือนที่ได้รับในช่วงเวลาการทำงานที่กำหนดมาใช้ในการประเมินค่าด้วยในขณะปิดสวิตช์เครื่องมือ และขณะปล่อยให้เครื่องทำงานแต่ไม่ได้ใช้งานใดๆ นอกเหนือจากช่วงเวลาการกระตุ้นการทำงาน

เนื่องจากอาจส่งผลให้ระดับการสั่นสะเทือนลดลงอย่างมากสำหรับระยะเวลาการทำงานโดยรวม



**คำเตือน:** ใช้มาตรการที่เหมาะสมเพื่อปกป้องความเสี่ยงดัง



**คำเตือน:** เพื่อลดความเสี่ยงต่อการบาดเจ็บ โปรดอ่านคู่มือการใช้งานเล่มนี้

## คำเตือนด้านความปลอดภัยทั่วไปจากการใช้เครื่องมือไฟฟ้า



**คำเตือน!** อ่านคำเตือนและคำแนะนำด้านความปลอดภัยทั้งหมด การไม่ปฏิบัติตามคำเตือนและคำแนะนำเหล่านี้ อาจทำให้ถูกไฟดูด เกิดเพลิงไหม้และ/หรือบาดเจ็บสาหัสได้

**จัดเก็บเอกสารคำเตือนและคำแนะนำทั้งหมดไว้เพื่อการอ้างอิงในภายหลัง**

คำว่า “เครื่องมือไฟฟ้า” ในคำเตือน หมายถึงเครื่องมือไฟฟ้าที่ทำงานผ่านสายเมน (มีสาย) หรือแบตเตอรี่ (ไม่มีสาย)

### 1) ความปลอดภัยในบริเวณที่ทำงาน

- รักษาความสะอาดและจัดให้มีแสงสว่างเพียงพอในบริเวณที่ทำงาน บริเวณที่คับแคบหรือมืดทำให้เกิดอุบัติเหตุได้
- ห้ามใช้เครื่องมือไฟฟ้าในบริเวณที่อาจเกิดการระเบิด เช่น เมื่อมีของเหลวไวไฟ แก๊ส หรือ ผุ่นละออง เครื่องมือไฟฟ้าจะทำให้เกิดประกายไฟที่อาจทำให้เกิดละอองไฟหรือเปลวไฟขึ้นได้
- ระวังไม่ให้เด็กเล็กและคนเดินผ่านไปมาเข้าใกล้ ในขณะที่ใช้งานเครื่องมือไฟฟ้า สิ่งรอบกวนอาจทำให้คุณเสียสมาธิได้

### 2) ความปลอดภัยทางไฟฟ้า

- ปลั๊กไฟของเครื่องต้องเป็นชนิดเดียวกับตัวรับ ห้ามดัดแปลงปลั๊กไม่ว่าจะด้วยวิธีใด ห้ามใช้ตัวแปลงกับเครื่องมือไฟฟ้าที่ต่อสายดิน ปลั๊กที่ไม่มีการดัดแปลงและตัวรับชนิดเดียวกันจะช่วยลดความเสี่ยงจากการถูกไฟดูด
- หลีกเลี่ยงการสัมผัสพื้นผิวที่ต่อสายดิน เช่น ท่อหม้อน้ำ เตาหุงต้ม และตู้เย็น มีความเสี่ยงเพิ่มขึ้นที่จะถูกไฟดูดหากร่างกายเป็นสื่อเชื่อมต่อกับดิน
- อย่าให้เครื่องมือไฟฟ้าถูกฝนหรือเปียกน้ำ น้ำที่เข้าเครื่องมือไฟฟ้าจะทำให้ความเสี่ยงในการถูกไฟดูดเพิ่มขึ้น
- ระวังอย่าให้สายไฟชำรุด ห้ามใช้สายไฟเพื่อหิ้ว ดึง หรือถอดปลั๊กเครื่องมือไฟฟ้า เก็บสายไฟให้พ้นจากความร้อน น้ำมัน ของมีคม หรือชิ้นส่วนที่กำลังเคลื่อนที่ สายไฟที่ชำรุดหรือพันกันเป็นการเพิ่มความเสี่ยงจากการถูกไฟดูด
- เมื่อใช้เครื่องมือไฟฟ้ากลางแจ้ง ให้ใช้สายพ่วงที่เหมาะสมสำหรับการใช้งานกลางแจ้ง ใช้สายไฟที่เหมาะสมสำหรับการใช้งานกลางแจ้งเพื่อลดความเสี่ยงในการถูกไฟดูด
- หากไม่สามารถหลีกเลี่ยงการใช้เครื่องมือไฟฟ้าในบริเวณที่ชื้นและได้ ให้ใช้อุปกรณ์ป้องกันไฟฟ้าสะสม (RCD) ที่จัดให้ ใช้ RCD เพื่อลดความเสี่ยงจากการถูกไฟดูด

### 3) ความปลอดภัยส่วนบุคคล

- ตื่นตัวและมีสมาธิกับสิ่งที่คุณกำลังทำ รวมทั้งใช้สามัญสำนึกในขณะที่กำลังใช้งานเครื่องมือไฟฟ้า ห้ามใช้เครื่องมือไฟฟ้าในขณะที่คุณกำลังเหนื่อยล้าหรือได้รับอิทธิพลจากยา แอลกอฮอล์ หรือการรักษาบางอย่าง การขาดความระมัดระวังในการใช้เครื่องมือไฟฟ้าแม้ชั่วขณะหนึ่งอาจทำให้บาดเจ็บสาหัสได้
- ใช้อุปกรณ์ป้องกันส่วนบุคคล สวมอุปกรณ์ป้องกันดวงตาเสมอ อุปกรณ์ป้องกัน เช่น หน้ากากกันฝุ่น รองเท้ากันภัยกันลื่น หมวกกันน็อก หรืออุปกรณ์ป้องกันเสียงดังสำหรับสภาพที่เหมาะสมจะช่วยลดอาการบาดเจ็บส่วนบุคคล
- ป้องกันเครื่องทำงานโดยไม่ได้ตั้งใจ สวิตช์ต้องอยู่ในตำแหน่งปิดก่อนเสียบปลั๊กของเครื่องเข้ากับแหล่งจ่ายไฟ และ/หรือแบตเตอรี่ ยกหรือหิ้วเครื่องมือ การยกเครื่องมือไฟฟ้าในขณะที่นิ้วอยู่ที่สวิตช์ หรือใช้เครื่องมือไฟฟ้าที่สวิตช์เปิดอยู่ อาจทำให้เกิดอุบัติเหตุได้
- ถอดกุญแจปรับแต่งหรือประแจออกก่อนเปิดสวิตช์เครื่องมือไฟฟ้า ประแจหรือกุญแจที่เสียบคาไว้กับชิ้นส่วนที่กำลังหมุนของเครื่องมือไฟฟ้าอาจทำให้ได้รับบาดเจ็บได้

- จ) ห้ามยืนเขย่งเท้าขณะใช้เครื่อง ควรยืนในท่าที่เหมาะสมและสมดุลตลอดเวลา เพื่อช่วยในการควบคุมเครื่องมือไฟฟ้าได้ดียิ่งขึ้นในสถานการณ์ที่ไม่คาดคิด
- ฉ) แต่งกายให้เหมาะสม ห้ามสวมเสื้อผ้าหลวมหรือใส่เครื่องประดับ รวบผม ชายเสื้อ และถุงมือให้ห่างจากชิ้นส่วนที่กำลังหมุน เสื้อผ้าที่หลวมหรือยาว รุ่มร่าม เครื่องประดับ หรือผมที่ยาวอาจเข้าไปพันกับชิ้นส่วนที่กำลังหมุน
- ช) หากมีอุปกรณ์สำหรับเก็บฝุ่นและรวบรวมเศษไม้ ต้องเชื่อมต่ออุปกรณ์เหล่านั้นและนำมาใช้งานอย่างเหมาะสม การใช้อุปกรณ์เก็บฝุ่นจะช่วยลดอันตรายที่เกี่ยวข้องกับฝุ่นได้

#### 4) การใช้และการดูแลรักษาเครื่องมือไฟฟ้า

- ก) ห้ามเดินใช้เครื่องมือไฟฟ้า เลือกใช้เครื่องมือไฟฟ้าที่ถูกต้องตรงกับลักษณะการใช้งานของคุณ เครื่องมือไฟฟ้าที่ถูกดัดแปลงหรือทำงานได้ดีกว่าและปลอดภัยกว่าในอัตราที่เครื่องมือได้รับการออกแบบมา
- ข) ห้ามใช้เครื่องมือไฟฟ้าถ้าสวิทช์เปิดปิดเครื่องไม่ทำงาน เครื่องมือไฟฟ้าที่ไม่สามารถควบคุมผ่านสวิทช์ได้ มีอันตรายและต้องส่งซ่อม
- ค) ถอดปลั๊กของเครื่องมือไฟฟ้าออกจากแหล่งจ่ายไฟ และ/หรือ แบตเตอรี่ก่อนทำการปรับแต่ง เปลี่ยนอุปกรณ์เสริม หรือจัดเก็บ มาตรการเพื่อความปลอดภัยเชิงการป้องกันนี้จะช่วยลดความเสี่ยงในการปลดเบ็ดเครื่องให้ทำงานโดยไม่ตั้งใจ
- ง) เก็บเครื่องมือไฟฟ้าที่พร้อมใช้งานไว้ให้พ้นมือเด็ก และไมอนุญาตให้บุคคลที่ไม่คุ้นเคยกับเครื่องมือไฟฟ้าหรือคำแนะนำเหล่านี้เป็นผู้ใช้เครื่องมือไฟฟ้าหรือคำแนะนำเหล่านี้เป็นผู้ใช้เครื่องมือไฟฟ้าที่ไม่มีประสบการณ์
- จ) บำรุงรักษาเครื่องมือไฟฟ้า ตรวจสอบการวางตำแหน่งหรือการต่อชิ้นส่วนที่เคลื่อนที่ จุดเชื่อมต่อ ชิ้นส่วนและสภาพอื่นๆ ที่อาจส่งผลกระทบต่อการทำงานของเครื่องมือไฟฟ้า หากชำรุดเสียหาย ให้ส่งซ่อมก่อนนำมาใช้ อุบัติเหตุมากมายเกิดจากเครื่องมือไฟฟ้าที่มีระบบการดูแลรักษาไม่ดีพอ
- ฉ) เครื่องมือตัดต้องคมและสะอาดอยู่เสมอ เครื่องมือตัดที่ผ่านการดูแลรักษาที่เหมาะสมและมีขอบสำหรับงานตัดที่คม จะไม่ค่อยเกิดปัญหาและควบคุมได้ง่าย
- ช) ใช้เครื่องมือไฟฟ้า อุปกรณ์เสริมและชุดอุปกรณ์ต่างๆ ให้สอดคล้องกับคำแนะนำเหล่านี้ โดยพิจารณาถึงสภาพการทำงานและงานที่ทำเป็นสำคัญ การใช้เครื่องมือไฟฟ้าทำงานอื่นนอกเหนือจากที่กำหนดไว้ อาจทำให้เกิดอันตรายได้

#### 5) การบริการ

- ก) ให้ช่างซ่อมที่มีความเชี่ยวชาญเป็นผู้ซ่อมเครื่องมือ และใช้อะไหล่แท้เท่านั้น ซึ่งจะช่วยให้ประกันได้ว่า เครื่องมือไฟฟ้ายังมีความปลอดภัยอยู่

#### คำแนะนำด้านความปลอดภัยเพิ่มเติม สำหรับเครื่องสก็ดทำลายคอนกรีต

- สวมอุปกรณ์ป้องกันการฟัง การอยู่กับเสียงดังมากๆ อาจทำให้สูญเสียความสามารถในการได้ยิน
- ใช้มือจับเสริมที่หามาพร้อมกับเครื่อง การสูญเสียการควบคุมเครื่องอาจทำให้ได้รับบาดเจ็บได้
- จับเครื่องมือไฟฟ้าที่พื้นผิวส่วนที่ใช้จับซึ่งมีฉนวนป้องกันในขณะที่ใช้งานเครื่องซึ่งเครื่องมือตัดอาจสัมผัสกับสายไฟที่ซ่อนอยู่หรือสายไฟของตัวเครื่องเอง อุปกรณ์เสริมที่ใช้กับงานตัดที่สัมผัสกับสายไฟ “ที่มีไฟฟ้า” อาจทำให้ส่วนที่เป็นโลหะของเครื่องมือที่ถูกสัมผัส “มีไฟฟ้า” และทำให้ผู้ใช้เครื่องถูกไฟดูดได้
- ตรวจสอบให้แน่ใจว่าวัสดุที่เจาะไม่รบกวนการใช้ไฟฟ้าหรือแก๊ส และมีการตรวจสอบตำแหน่งแล้วโดยบริษัทที่ให้บริการด้านสาธารณูปโภค
- จับที่ด้ามจับของเครื่องมือให้มั่นคงตลอดเวลา อย่าใช้เครื่องมือทำงานใดๆ โดยไม่จับเครื่องมือด้วยมือทั้งสองข้าง การใช้เครื่องมือนี้ด้วยมือข้างเดียวจะทำให้สูญเสียการควบคุม การเจาะทะลุหรือการเจาะเข้าวัสดุที่แข็ง อย่างเช่น เหล็กเส้น อาจก่อให้เกิดอันตรายได้เช่นกัน โปรดอ่านมือจับเสริมด้านข้างให้แน่นก่อนใช้งาน
- ดอกสก็ดต้องยึดเข้าในตำแหน่งดีแล้วก่อนการใช้งานเครื่องมือ
- ในสภาพอากาศที่หนาวเย็น หรือเมื่อไม่มีการใช้เครื่องมือต่อเนื่องเป็นเวลานาน ให้เปิดเครื่องทำงานโดยไม่มีการะโหลดเป็นเวลาหลายนาทีก่อนการใช้งาน
- เมื่อทำงานเหนือพื้นราบ ตรวจสอบให้แน่ใจว่าบริเวณด้านล่างไม่มีสิ่งกีดขวาง
- ห้ามสัมผัสดอกสก็ดหรือส่วนที่อยู่ใกล้กับดอกสก็ดทันทีหลังการใช้งาน เนื่องจากชิ้นส่วนเหล่านี้อาจมีความร้อนสูงและอาจทำให้ผิวหนังไหม้ได้
- ควรปรับสายไฟไปทางด้านหลังทุกครั้ง ให้ห่างจากดอกสก็ด
- อย่าใช้งานเครื่องมือนี้ต่อเนื่องเป็นเวลานาน แรงสั่นสะเทือนที่เกิดจากการตอกกระแทก อาจทำให้เกิดอันตรายต่อมือและแขนของคุณ ใช้ถุงมือเพื่อลดระดับแรงสั่นสะเทือนบางส่วน และจำกัดแรงสั่นสะเทือน โดยหยุดเครื่องเป็นระยะๆ

## รายการส่วนประกอบบรรจุภัณฑ์

สิ่งของในบรรจุภัณฑ์ได้แก่:

- เครื่องสกัดทำลายคอนกรีต 1 เครื่อง
- มือจับเสริมด้านข้าง 1 ชิ้น
- ดอกสกัดปลายแหลม (D25901, D25941) 1 อัน
- กล่องพลาสติก 1 กล่อง

คู่มือการใช้งาน 1 เล่ม  
ภาพแยกชิ้นส่วนอุปกรณ์ 1 ชิ้น

- ตรวจสอบร่องรอยความเสียหายของเครื่องมือ ชิ้นส่วนหรืออุปกรณ์เสริม ที่อาจเกิดขึ้นในระหว่างการขนส่ง
- อ่านและทำความเข้าใจคู่มือเล่มนี้ก่อนการใช้งาน

## คำอธิบาย (ภาพ 1)

เครื่องสกัดทำลายคอนกรีต DEWALT นี้ได้รับการออกแบบมาเพื่อการใช้งานอย่างมืออาชีพ

- สวิตช์เปิด/ปิด
- มือจับด้านหลัง
- หน้าปิดควบคุมแรงกระแทกแบบอิเล็กทรอนิกส์
- บล็อกกำหนดตำแหน่งดอกสกัด
- ที่จับอุปกรณ์/ปลดล็อก
- มือจับเสริมด้านข้าง

## วัตถุประสงค์ในการใช้งาน

เครื่องสกัดทำลายคอนกรีต D25899, D25901 และ D25941 สำหรับงานหนัก ออกแบบมาเพื่อการใช้งานสำหรับการเจาะ การสกัด และการฉีกคอนกรีต อิฐ ก้อนหิน และวัสดุปูนอื่นๆ ที่เป็นงานหนัก

**ห้าม** ใช้ในบริเวณที่เปียกชื้น หรือมีของเหลวไวไฟหรือแก๊ส อยู่ในบริเวณดังกล่าว

เครื่องสกัดทำลายคอนกรีตสำหรับงานหนักเหล่านี้เป็นเครื่องมือไฟฟ้าสำหรับมืออาชีพ **ห้าม** ให้เด็กสัมผัสกับเครื่องมือไฟฟ้านี้ ผู้ใช้ที่ไม่มีประสบการณ์มาก่อน ต้องได้รับการแนะนำ ในขณะที่ใช้เครื่องมือนี้

## ความเสี่ยงสะสม

- แม้จะปฏิบัติตามข้อกำหนดด้านความปลอดภัยที่เกี่ยวข้อง และใช้อุปกรณ์นี้ரிய แต่ยังไม่สามารถหลีกเลี่ยงความเสี่ยงสะสมบางประเภทได้ ความเสี่ยงเหล่านั้นได้แก่:
  - ความบกพร่องในการได้ยินเสียง
  - ความเสี่ยงจากการสูดดมฝุ่นละออง
  - ความเสี่ยงที่จะได้รับบาดเจ็บเนื่องจากการใช้งานติดต่อกันเป็นเวลานาน
  - ความเสี่ยงที่จะเกิดรอยไหม้เนื่องจากอุปกรณ์เสริมที่ร้อนขึ้นในระหว่างใช้งาน

## คุณสมบัติของฟิวส์สตาร์ท – D25901, D25941

คุณสมบัติของฟิวส์สตาร์ท ทำให้อัตราการกระแทกเกิดขึ้นช้าลง ดังนั้นจึงป้องกันดอกสกัดหรือปลายจากการ “กระดอน” ไปมาบนผิวปูนเมื่อเริ่มเดินเครื่อง

## ตัวควบคุมแรงสั่นสะเทือนแบบแอคทีฟ – D25901, D25941

ตัวควบคุมแรงสั่นสะเทือนแบบแอคทีฟทำหน้าที่ดูดซับแรงสั่นสะเทือนที่สะท้อนมาจากการตอกกระแทกให้ลดน้อยลง การลดระดับการสั่นของมือและแขนให้ต่ำลง จะช่วยให้รู้สึกสบายขึ้นเมื่อใช้เครื่องมือเป็นเวลานาน และยังช่วยยืดอายุการใช้งานของเครื่องด้วย

## ตัวควบคุมแรงกระแทกแบบอิเล็กทรอนิกส์ – D25901 เท่านั้น (ภาพ 1)

ตัวควบคุมแรงกระแทกแบบอิเล็กทรอนิกส์ (c) มีข้อดีดังต่อไปนี้:

- สามารถใช้อุปกรณ์เสริมขนาดเล็กลงได้โดยไม่เสี่ยงต่อการแตกหัก
- ลดการแตกหักเมื่อสกัดวัสดุที่อ่อนหรือแตกง่าย
- สามารถควบคุมเครื่องมือได้ดียิ่งขึ้นเพื่อการสกัดที่แม่นยำ

## ความปลอดภัยทางไฟฟ้า

มอเตอร์ไฟฟ้าออกแบบมาเพื่อใช้กับแรงดันไฟฟ้าขนาดเดียวเท่านั้น ต้องตรวจสอบกำลังไฟเพื่อให้ตรงกับแรงดันไฟฟ้าบนแผ่นแสดงที่กึ่งเสมอ



เครื่องมือ DEWALT ใช้ระบบฉนวนสองชั้น ที่ตรงตามมาตรฐาน EN 60745 จึงไม่จำเป็นต้องใช้สายดิน



**คำเตือน:** ห้ามใช้กระจับไฟ (Light Socket) ห้ามต่อลวดที่มีไฟฟ้า (L) หรือลวดไฟกลาง (N) เข้ากับสลักกราวด์ที่ปรากฏเป็นตัว E หรือ  $\perp$



**คำเตือน:** ต้องใช้งานอุปกรณ์ 115 โวลต์ ผ่านหม้อแปลงเดี่ยวแบบมีอุปกรณ์ป้องกัน พร้อมทั้งแผ่นสายดินระหว่างขดลวดหลัก และรอง

## การใช้สายพ่วง

ถ้าจำเป็นต้องใช้สายพ่วง ควรใช้สายพ่วงที่ผ่านการรับรองและเหมาะสมกับกำลังไฟเข้าของเครื่องมือนี้ (ดูข้อมูลทางเทคนิค)

ขนาดของสื่อนำไฟฟ้าต่ำสุด คือ 1.5 มม.<sup>2</sup> เมื่อใช้อุปกรณ์ ม้วนเก็บสายไฟ ให้คลายสายไฟออกจนหมดก่อน นอกจากนี้ให้ดูอ้างอิงตารางต่อไปนี้

ขนาดของลีดนำไฟฟ้า (มม. <sup>2</sup> )	พิกัดของสายไฟ (แอมแปร์)						
0.75	6						
1.00	10						
1.50	15						
2.50	20						
4.00	25						
ความยาวของสายไฟ (ม.)		7.5	15	25	30	45	60
แรงดันไฟฟ้า แอมแปร์	พิกัดของสายไฟ (แอมแปร์)						
115	0 – 2.0	6	6	6	6	6	10
	2.1 – 3.4	6	6	6	6	6	15
	3.5 – 5.0	6	6	10	15	20	20
	5.1 – 7.0	10	10	15	20	20	25
	7.1 – 12.0	15	15	20	25	25	–
	12.1 – 20.0	20	20	25	–	–	–
230	0 – 2.0	6	6	6	6	6	6
	2.1 – 3.4	6	6	6	6	6	6
	3.5 – 5.0	6	6	6	6	10	15
	5.1 – 7.0	10	10	10	10	15	15
	7.1 – 12.0	15	15	15	15	20	20
	12.1 – 20.0	20	20	20	20	25	–

### การประกอบและการปรับแต่ง



**คำเตือน:** ก่อนการประกอบและการปรับแต่ง ให้ถอดปลั๊กเครื่องมือทุกครั้ง



**คำเตือน:** สวมถุงมือขณะเปลี่ยนอุปกรณ์เสริมเสมอ ชิ้นส่วนโลหะบนเครื่องมือและอุปกรณ์เสริมอาจมีความร้อนสูงในระหว่างการทำงาน

### การใส่และการถอดประกอบอุปกรณ์เสริม SDS-max® – D25901 (ภาพ 2, 3)

เครื่องมือนี้ใช้ดอกสกัด SDS-max® (โปรดดูรอบเล็กในภาพ 3 ซึ่งแสดงภาพตัดขวางของก้านดอกสกัด)

ควรใช้อุปกรณ์เสริมเฉพาะที่ DEWALT แนะนำให้ใช้ร่วมกับผลิตภัณฑ์นี้เท่านั้น

1. ทำความสะอาดและหล่อลื่นก้านดอกสกัด



**ข้อควรระวัง:** ห้ามทาสารหล่อลื่นที่เครื่องมือ

2. ใส่ดอกสกัดลงในที่จับอุปกรณ์/ปลอกลีด (e) กดและหมุนดอกสกัดเล็กน้อยจนกระทั่งปลอกลีดเข้าไปในตำแหน่ง
3. ลองดึงดอกสกัดออกเพื่อตรวจสอบว่าดอกสกัดลีดอยู่ในตำแหน่งถูกต้องแล้ว สำหรับคุณสมบัติการเจาะดอกสกัดจะต้องเคลื่อนตามแนวแกนได้หลายเซนติเมตรเมื่อลีดอยู่ในที่จับอุปกรณ์

4. การถอดประกอบดอกสกัด ให้ดึงที่จับอุปกรณ์/ปลอกลีด (e) กลับ แล้วดึงดอกสกัดออกจากที่จับอุปกรณ์

### การใส่และการถอดประกอบอุปกรณ์เสริม Hex ทกเหลี่ยม 19 มม. – D25941 (ภาพ 4, 5)

เครื่องมือนี้ใช้ดอกสกัดที่มีก้าน Hex ทกเหลี่ยมขนาด 19 มม. (โปรดดูรอบเล็กในภาพ 5 ซึ่งแสดงภาพตัดขวางของก้านดอกสกัด Hex)

ควรใช้อุปกรณ์เสริมเฉพาะที่ DEWALT แนะนำให้ใช้ร่วมกับผลิตภัณฑ์นี้เท่านั้น

1. ทำความสะอาดและหล่อลื่นก้านดอกสกัด



**คำเตือน:** ห้ามทาสารหล่อลื่นที่เครื่องมือ

2. ดึงที่จับอุปกรณ์/ปลอกลีด (e) กลับ จากนั้นปรับร่อง (g) ให้ตรงกับเครื่องหมายสีเหลือง (h) แล้วใส่ก้านดอกสกัดลงในที่จับอุปกรณ์ ปลอยปลอกลีด
3. ลองดึงดอกสกัดเพื่อตรวจสอบว่าดอกสกัดลีดอยู่ในตำแหน่งถูกต้องแล้ว สำหรับคุณสมบัติการเจาะดอกสกัดจะต้องเคลื่อนตามแนวแกนได้หลายเซนติเมตรเมื่อลีดอยู่ในที่จับอุปกรณ์
4. การถอดประกอบดอกสกัด ให้ดึงที่จับอุปกรณ์/ปลอกลีด (e) กลับ แล้วดึงดอกสกัดออกจากที่จับอุปกรณ์

### การกำหนดตำแหน่งของดอกสกัด (ภาพ 6)

ดอกสกัดสามารถกำหนดและลีดตำแหน่งได้ถึง 12 ตำแหน่ง

1. ใส่ดอกสกัดตามวิธีที่อธิบายข้างต้น
2. หมุนปลอกกำหนดตำแหน่งดอกสกัด (d) ในทิศทางตามลูกศรจนกระทั่งดอกสกัดอยู่ในตำแหน่งที่ต้องการ

### การตั้งค่าหน้าปิดควบคุมแรงกระแทกแบบอิเล็กทรอนิกส์ – D25901 (ภาพ 1)

หมุนหน้าปิด (c) ไปยังระดับที่ต้องการ ยิ่งตัวเลขสูงขึ้นแรงกระแทกก็ยิ่งสูงขึ้น เมื่อมีการตั้งค่าหน้าปิดจาก «1» (ต่ำ) ถึง «7» (เต็มกำลัง) เครื่องมือจะมีความสามารถมากขึ้นและปรับได้สำหรับการใช้งานที่แตกต่างกันหลายอย่าง

การตั้งค่าที่จำเป็นเป็นเรื่องของประสบการณ์ ตัวอย่างเช่น

- เมื่อสกัดวัสดุที่อ่อนหรือแตกหักง่าย หรือเมื่อต้องการให้มีการแตกหักน้อยที่สุด ให้ตั้งค่าหน้าปิดเป็น «1» หรือ «2» (ต่ำ)
- เมื่อเจาะวัสดุที่แข็งขึ้น ให้ตั้งหน้าปิดเป็น «7» (เต็มกำลัง)

## การติดตั้งและการปรับมือจับเสริมด้านข้าง (ภาพ 7)

มือจับเสริมด้านข้าง (f) สามารถติดตั้งไว้ที่ด้านหน้าของเครื่องมือเพื่อให้เหมาะสมสำหรับทั้งผู้ใช้ที่ถนัดมือซ้ายและมือขวา



**คำเตือน:** ใช้งานเครื่องมือโดยมีมือจับเสริมด้านข้างติดตั้งอย่างถูกต้องเสมอ

1. คลายหัวจับของมือจับเสริมด้านข้าง (g)
2. เลื่อนชุดมือจับเสริมด้านข้างเข้าไปในเครื่องมือ โดยให้แหวนเหล็ก (h) อยู่ในบริเวณติดตั้ง (X) ตำแหน่งที่ถูกต้องของมือจับเสริมด้านข้างอยู่ระหว่างส่วนหัวและตรงกลางของท่อ
3. ปรับตั้งมือจับเสริมด้านข้าง (f) จนถึงมุมที่ต้องการ
4. เลื่อนและหมุนมือจับเสริมด้านข้างไปยังตำแหน่งที่ต้องการ
5. ล็อคมือจับเสริมด้านข้างเข้าไปในตำแหน่งโดยการขันหัวจับให้แน่น (g)

## วิธีการใช้เครื่อง



**คำเตือน:**

- ทำตามคำแนะนำด้านความปลอดภัยและข้อกำหนดที่ให้เสมอ
- ระวังตำแหน่งของระบบท่อน้ำและสายไฟ
- ออกแรงกดไปยังเครื่องมือประมาณ 20 - 30 กก. การออกแรงกดมากเกินไป ไม่ได้ช่วยให้สามารถสกัดได้เร็วขึ้น แต่ยังเป็นภาระลดประสิทธิภาพของเครื่องมือ และทำให้เครื่องมืออายุการใช้งานสั้นลงอีกด้วย

## การเปิดและปิดสวิตช์ (ภาพ 1)

การเปิดสวิตช์: ตั้งสวิตช์เปิด/ปิด (a) ไปที่ตำแหน่ง 1  
การปิดสวิตช์: ตั้งสวิตช์เปิด/ปิด (a) ไปที่ตำแหน่ง 0

## การเจาะ การถาก และการขุดร่อง (ภาพ 1)

1. เลือกดอกสกัดที่เหมาะสม จากนั้นทำความสะอาดและหล่อลื่นก้านดอกสกัด
2. ใส่ดอกสกัดและตรวจสอบว่าดอกสกัดลึกลงอยู่ในตำแหน่งถูกต้องแล้ว
3. ตั้งระดับแรงกระแทกที่ต้องการ
4. ติดตั้งและปรับมือจับเสริมด้านข้าง (f) และตรวจสอบให้แน่ใจว่าขันแน่นแล้ว
5. จับเครื่องมือที่มือจับทั้งสอง (b, f) และเปิดสวิตช์ ในตอนนี้ เครื่องมือจะทำงานอย่างต่อเนื่อง
6. ปิดสวิตช์เครื่องมือทุกครั้งเมื่อทำงานเสร็จแล้วและก่อนดึงปลั๊กออก

ดอกสกัดชนิดต่างๆ มีจำหน่ายเป็นอุปกรณ์เสริม ควรใช้อุปกรณ์เสริมเฉพาะที่ DEWALT แนะนำให้ใช้ร่วมกับผลิตภัณฑ์นี้เท่านั้น

## การบำรุงรักษา

เครื่องมือไฟฟ้า DEWALT ออกแบบมาเพื่อให้สามารถใช้งานได้ อย่างยาวนานต่อเนื่องด้วยการบำรุงรักษาน้อยที่สุด การทำงานที่สร้างความพึงพอใจอย่างต่อเนื่องจะขึ้นอยู่กับ การดูแลรักษาเครื่องมือที่เหมาะสมและการทำความสะอาดอย่างสม่ำเสมอ

- เครื่องมือนี้ผู้ใช้ไม่สามารถซ่อมเองได้ โปรดนำเครื่องมือไปยังศูนย์บริการ DEWALT ที่ได้รับอนุญาต เมื่อใช้งาน เครื่องมือมาแล้วประมาณ 100 ชั่วโมง หากมีปัญหาเกิดขึ้นก่อนกำหนดดังกล่าว ให้ติดต่อศูนย์บริการ DEWALT ที่ได้รับอนุญาต

## การบำรุงรักษาอุปกรณ์เสริม (ภาพ 8)

การบำรุงรักษาอุปกรณ์เสริมในเวลาที่เหมาะสมเป็นการ รับประกันผลลัพธ์ในการใช้งานที่ดีที่สุดและอายุการใช้งาน อุปกรณ์เสริมที่มีประสิทธิภาพ

เจียร์ดอกสกัดบนแผ่นเจียร์ โปรดดูภาพ 8 สำหรับมุมที่เหมาะสมของดอกสกัดต่อไปนี้:

- ดอกสกัดแบบพลาวัล (i)
- ดอกสกัดแบบแบน (j)
- ดอกสกัดปลายแหลม (k)
- ดอกสกัดแบบตัวยู (l)
- ดอกสกัดแบบกลาง (m)
- ดอกสกัดแบบโกร่งบด (n)
- ดอกสกัดแบบฟันเลื่อย (o)



**คำเตือน:** ดอกสกัดเหล่านี้สามารถเจียร์ใหม่ได้ ในจำนวนครั้งที่จำกัดเท่านั้น ถ้ามีข้อสงสัย ให้ติดต่อตัวแทนจำหน่ายของคุณเพื่อขอคำแนะนำ



**คำเตือน:** ตรวจสอบดูว่าขอบตัดไม่เปลี่ยนเป็นสีม่วงเนื่องจากการใช้แรงดันมากเกินไป ซึ่งอาจส่งผลต่อความแข็งแรงของอุปกรณ์เสริม



## การหล่อลื่น

ไม่ต้องใช้สารหล่อลื่นเพิ่มเติมกับเครื่องมือไฟฟ้านี้



### การทำความสะอาด



**คำเตือน:** เป่าสิ่งสกปรกและฝุ่นละอองที่สะสมออกจากตัวเครื่องเป็นประจำด้วยลมแห้ง เนื่องจากสิ่งสกปรกมักสะสมอยู่ภายในและรอบๆ ช่องระบายอากาศ สวมอุปกรณ์ป้องกันดวงตาในขณะที่ดำเนินการขั้นตอนนี้



**คำเตือน:** ห้ามใช้สารที่เป็นตัวทำละลายหรือสารเคมีที่มีฤทธิ์กัดกร่อนรุนแรงอื่นๆ ทำความสะอาดชิ้นส่วนของเครื่องมือที่ไม่ใช่โลหะ สารเคมีเหล่านี้อาจส่งผลต่อวัสดุที่ใช้ในชิ้นส่วนเหล่านี้ ใช้เฉพาะผ้าชุบน้ำสบู่อ่อนๆ เท่านั้น อย่าให้มีของเหลวค้างอยู่ภายในเครื่อง ห้ามจุ่มส่วนใดๆ ของเครื่องมือลงในของเหลว

### อุปกรณ์เสริม



**คำเตือน:** เนื่องจากอุปกรณ์เสริมอื่นนอกเหนือจากที่ DEWALT มีจำหน่าย ไม่ได้ผ่านการทดสอบร่วมกับผลิตภัณฑ์นี้ จึงอาจเป็นอันตราย หากใช้อุปกรณ์เสริมดังกล่าวร่วมกับเครื่องมือนี้ ลดความเสี่ยงจากการได้รับบาดเจ็บด้วยการใช้ อุปกรณ์เสริมเฉพาะที่ DEWALT แนะนำให้ใช้ร่วมกับผลิตภัณฑ์เท่านั้น

โปรดติดต่อตัวแทนจำหน่ายหากต้องการข้อมูลเพิ่มเติมเกี่ยวกับอุปกรณ์เสริมที่เหมาะสม

### การบำรุงรักษาอุปกรณ์เสริม

การบำรุงรักษาอุปกรณ์เสริมในเวลาที่เหมาะสมเป็นการรับประกันผลลัพธ์ในการใช้งานที่ดีที่สุดและอายุการใช้งาน อุปกรณ์เสริมที่มีประสิทธิภาพ

### การปกป้องสิ่งแวดล้อม



การเก็บรวบรวมแบบคัดแยก ห้ามทิ้งผลิตภัณฑ์นี้ร่วมกับขยะในครัวเรือนปกติ



หากวันหนึ่งคุณพบว่า จำเป็นต้องเปลี่ยนผลิตภัณฑ์ DEWALT ของคุณ หรือถ้าเครื่องมือนี้ไม่เป็นประโยชน์สำหรับคุณอีกต่อไป อย่าทิ้งผลิตภัณฑ์นี้ร่วมกับขยะในครัวเรือน โปรดจัดการกับผลิตภัณฑ์นี้เพื่อการเก็บรวบรวมแบบคัดแยก



การเก็บรวบรวมแบบคัดแยกสำหรับบรรจุภัณฑ์และผลิตภัณฑ์ที่ใช้แล้วทำให้สามารถรีไซเคิลวัสดุและนำมาใช้งานได้อีกครั้ง การนำวัสดุรีไซเคิลมาใช้ใหม่จะช่วยป้องกันมลพิษต่อสิ่งแวดล้อมและลดความต้องการวัตถุดิบ

ตามกฎหมายท้องถิ่นอาจมีการจัดเตรียมสถานที่สำหรับการเก็บรวบรวมแบบคัดแยกอุปกรณ์ไฟฟ้าที่ใช้ภายในครัวเรือนไว้ ณ แหล่งรับขยะของเทศบาล หรืออาจมีการรับอุปกรณ์ใช้แล้วจากผู้ค้าปลีกในกรณีที่คุณซื้อผลิตภัณฑ์ชิ้นใหม่

DEWALT พร้อมให้ความสะดวกในการเก็บรวบรวมและรีไซเคิลผลิตภัณฑ์ DEWALT เมื่อผลิตภัณฑ์เหล่านั้นหมดอายุการใช้งาน หากต้องการรับบริการดังกล่าวจากเรา โปรดส่งผลิตภัณฑ์ของคุณคืนศูนย์บริการที่ได้รับอนุญาต ซึ่งจะทำหน้าที่เป็นตัวแทนของเราในการเก็บรวบรวมผลิตภัณฑ์

คุณสามารถตรวจเช็คศูนย์บริการใกล้บ้านที่ได้รับอนุญาตโดยติดต่อไปที่สำนักงาน DEWALT ประจำพื้นที่ ตามที่อยู่ที่ให้ไว้ในคู่มือเล่มนี้ หรือ คุณอาจตรวจเช็ครายชื่อศูนย์บริการ DEWALT ที่ได้รับอนุญาต รวมทั้งรายละเอียดต่างๆ ของบริการหลังการขายได้ทางอินเทอร์เน็ต ที่:

[www.2helpU.com](http://www.2helpU.com)